

# RC Conversion Kit for Classy Hobby 1/16 M5A1 Stuart Light Tank Late and Early Production (Item no: MC16006, MC16007) User Manual (Version 1.0)

## Attention!

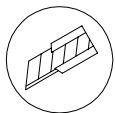
- 1) This kit is designed for experienced model makers. It may be difficult for beginners. Please read this manual thoroughly to see if you have the required skills and tools.
- 2) Cutting tools are used frequently in this kit. Extra care should be taken to avoid injury. Wear hand gloves and eye protection spectacle if necessary.
- 3) Keep room well ventilated when working with cements, paints and organic solvents.
- 4) Visit [www.35rctank.com](http://www.35rctank.com) for addition tips and update information.



side cutter



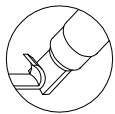
apply cement



modelling knife



do not apply cement



carving knife



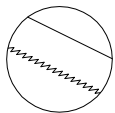
apply instant glue



all purpose glue



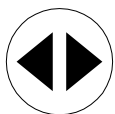
solder



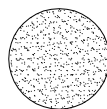
hand saw



apply lubrication oil



both sides

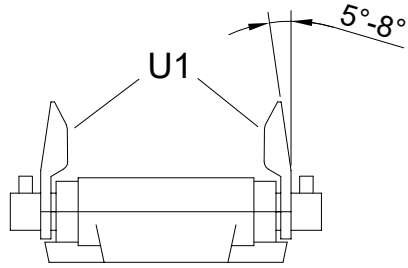


polish with sand paper



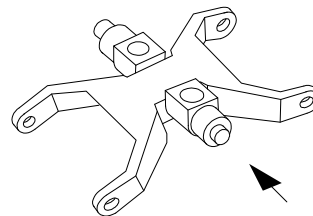
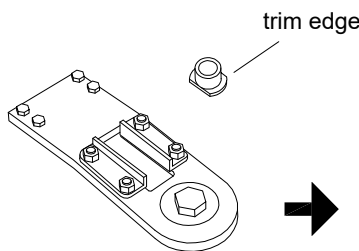
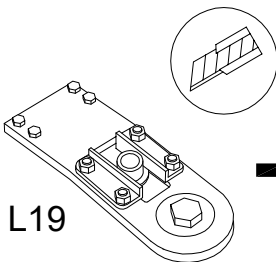
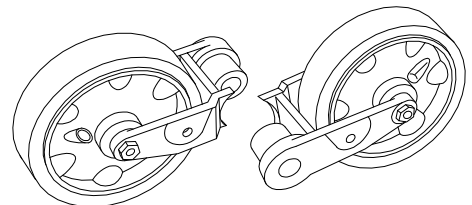
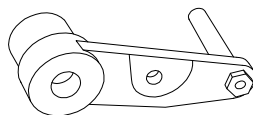
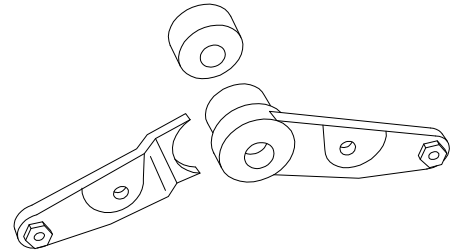
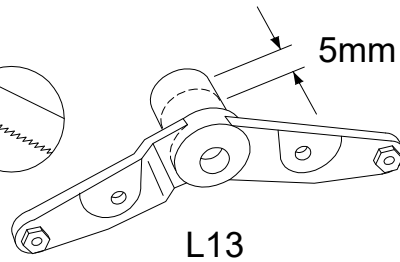
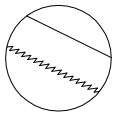
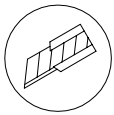
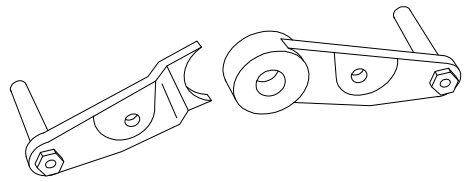
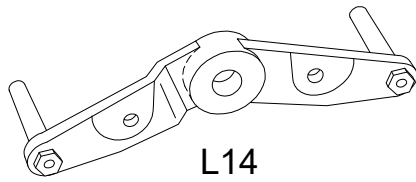
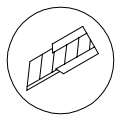
Attention!

# 1 Tracks

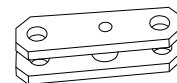
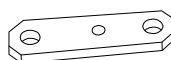
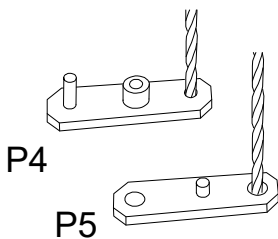


For smooth run with sprocket, bend U1 5°-8°

# 2A Suspension



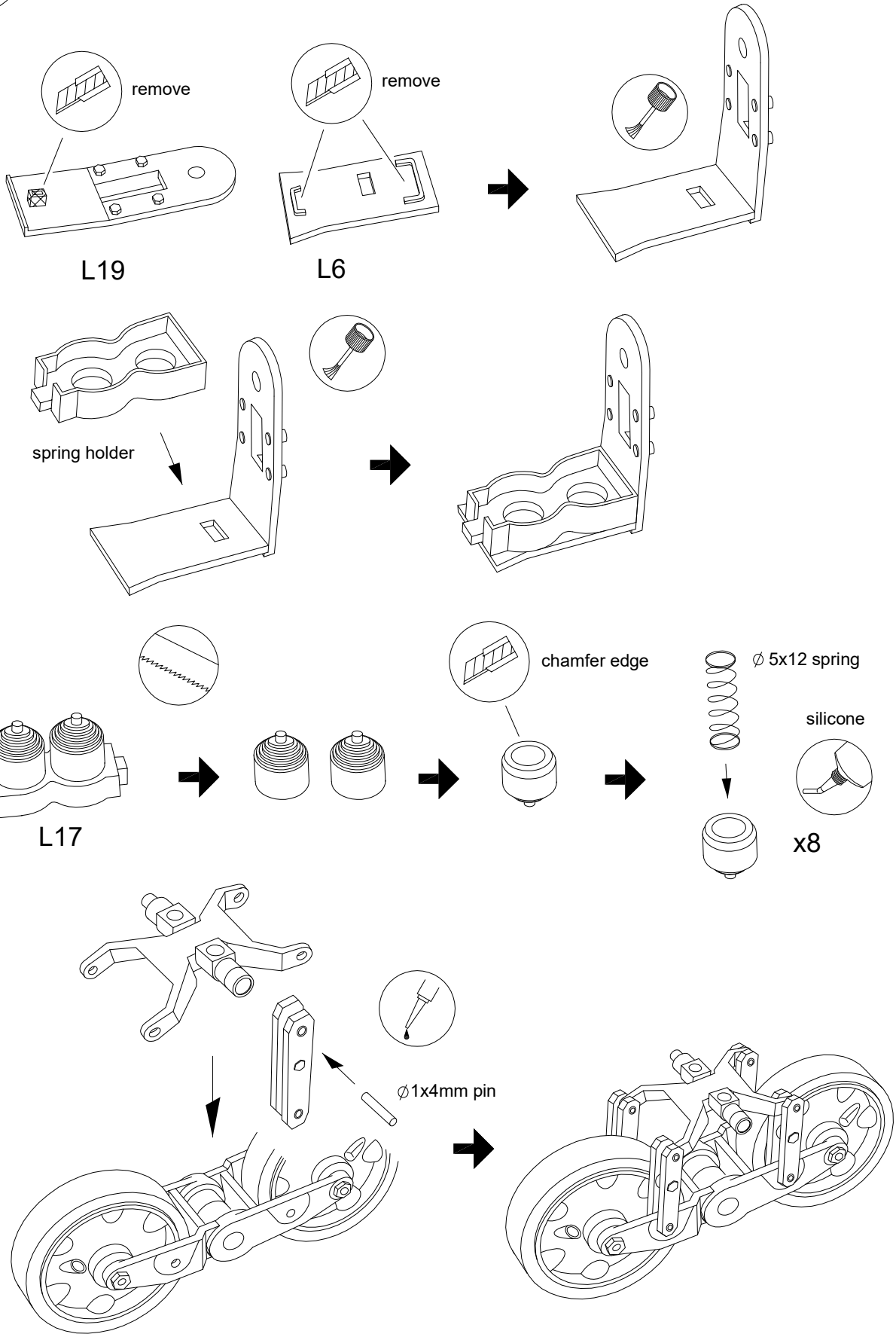
L9+L15+L16



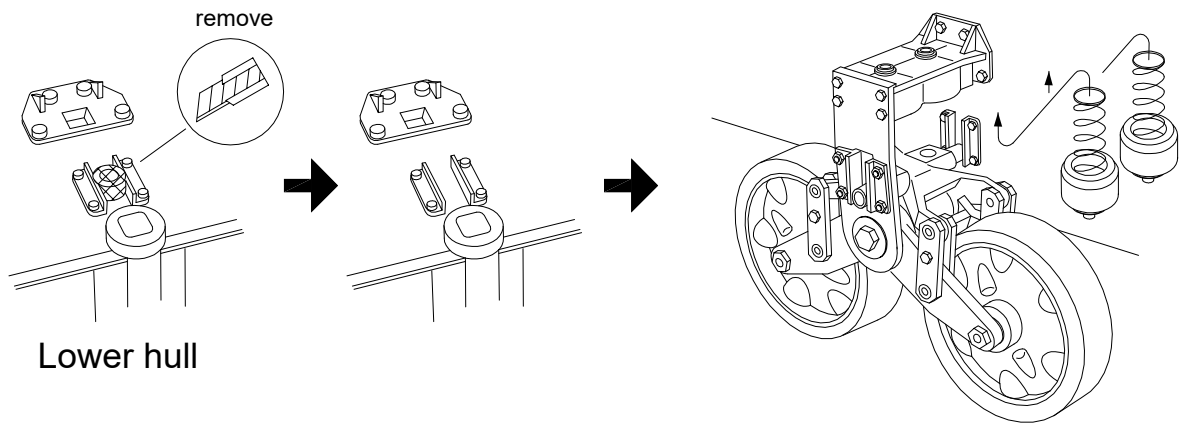
x16

Drill  $\varnothing$ 1mm through hole

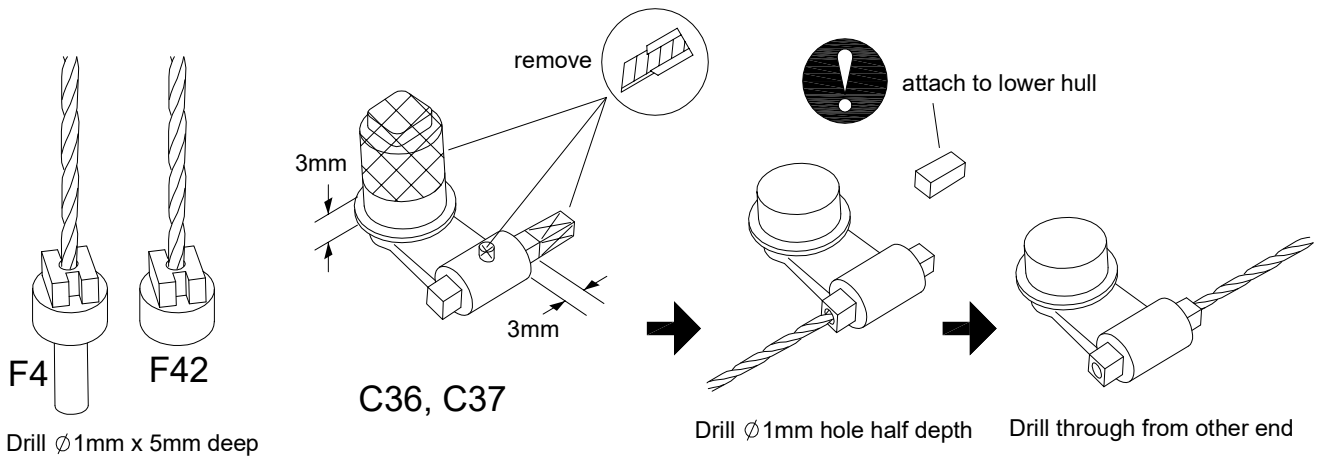
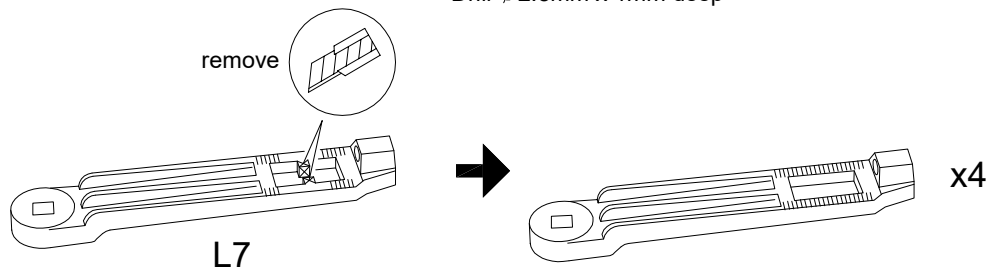
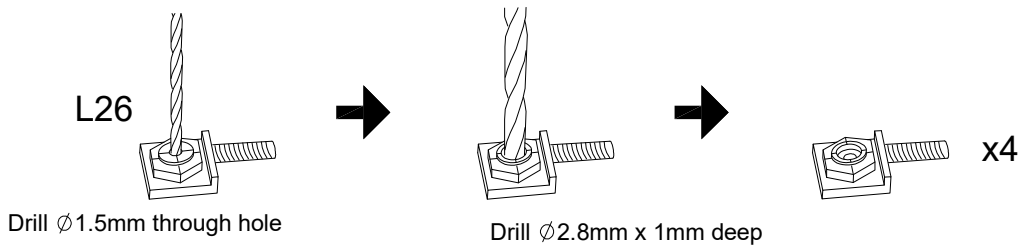
# 2B Suspension



# 2C Suspension



# 3A Idler wheel

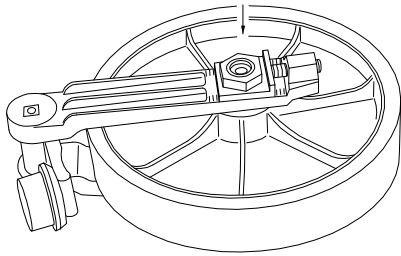


# 3B Idler wheel

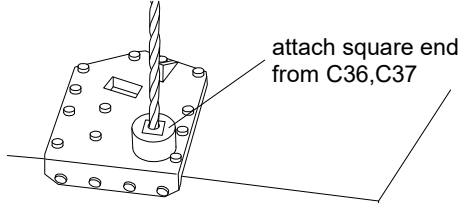


adjust idler wheel position to adjust the track tension

PA1.5x4 plastic screw

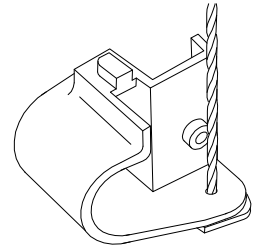


Drill  $\varnothing$ 1mm through hole

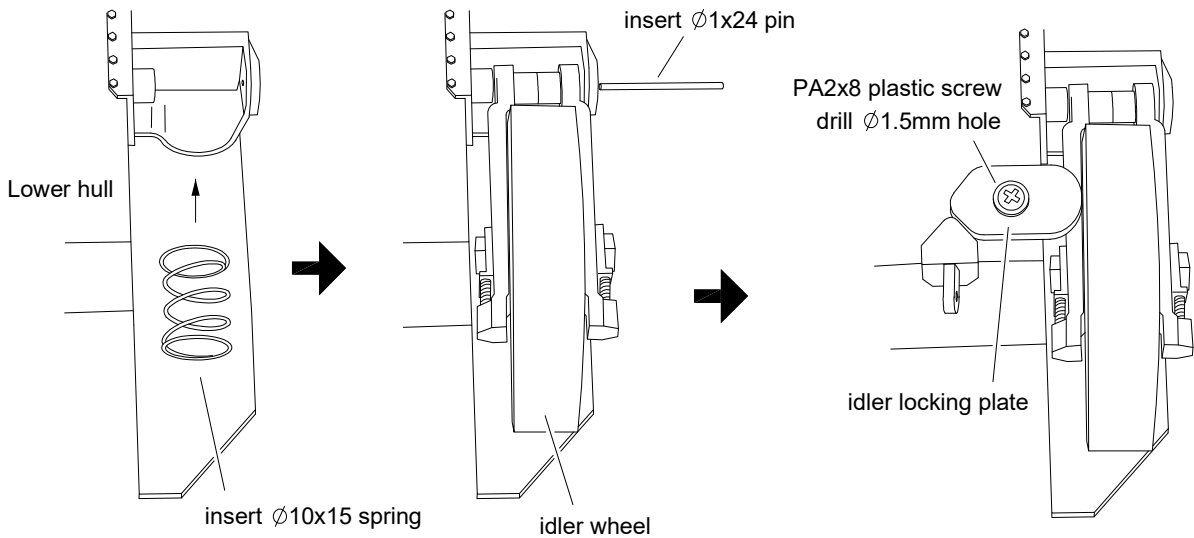


Lower hull

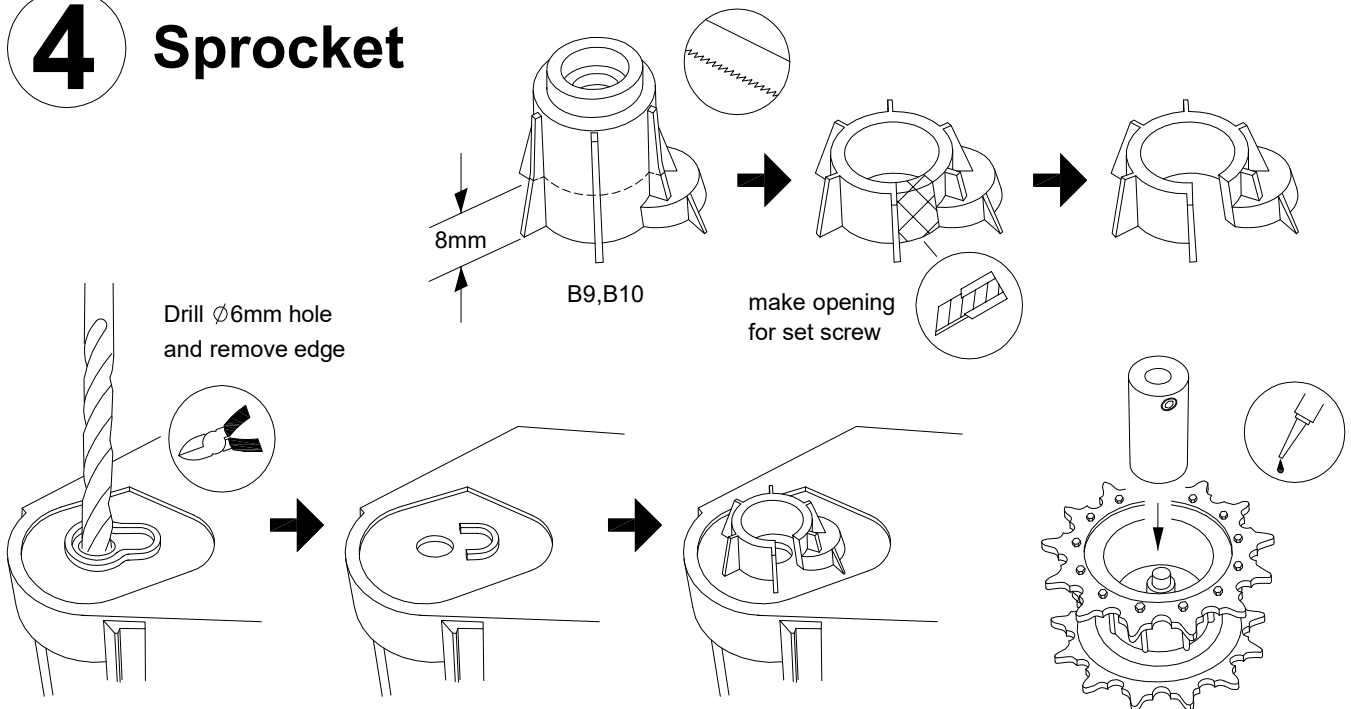
Drill  $\varnothing$ 1mm through hole



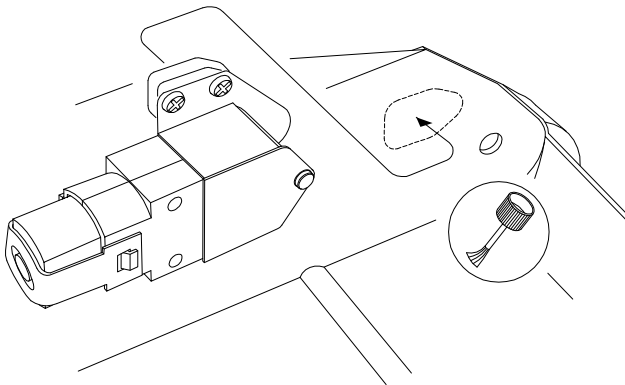
C28,C29



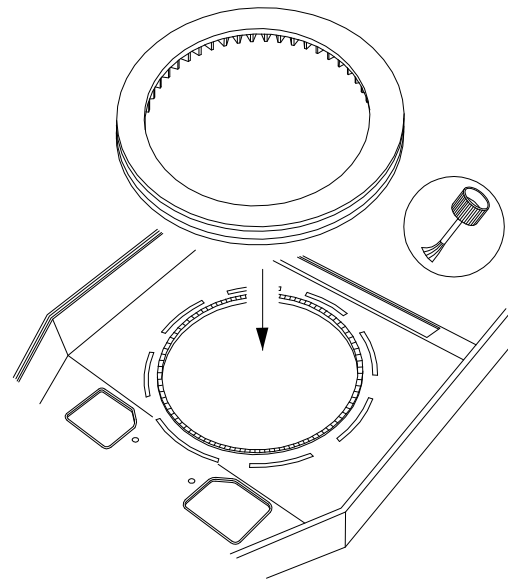
# 4 Sprocket



# 5 Gearbox

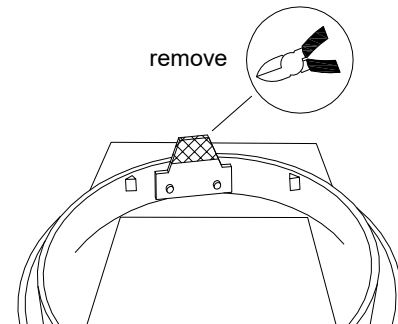
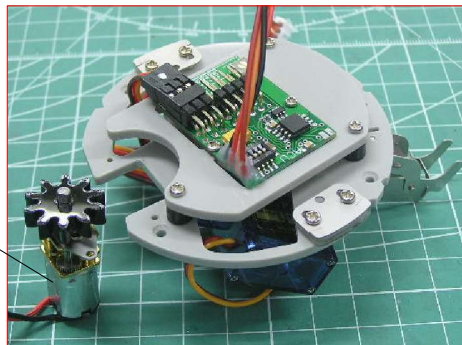


# 6 Turret ring gear



# 7 Turret

remove turret rotation motor temporary



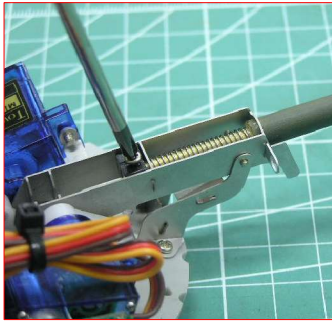
place turret assembly in position



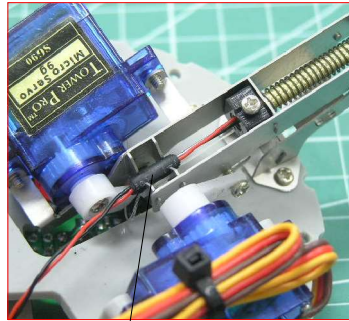
apply cement to mounting pole only



# 8 Main gun and machine gun



insert gun barrel



main gun LED, press fit to gun barrel here, do not apply cement



adjust recoil travel if nessecory

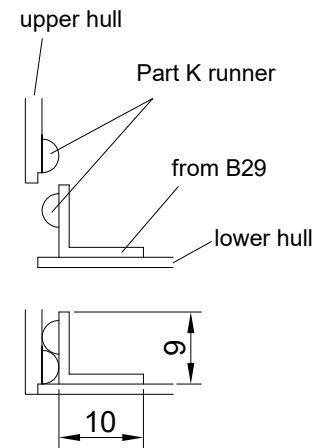
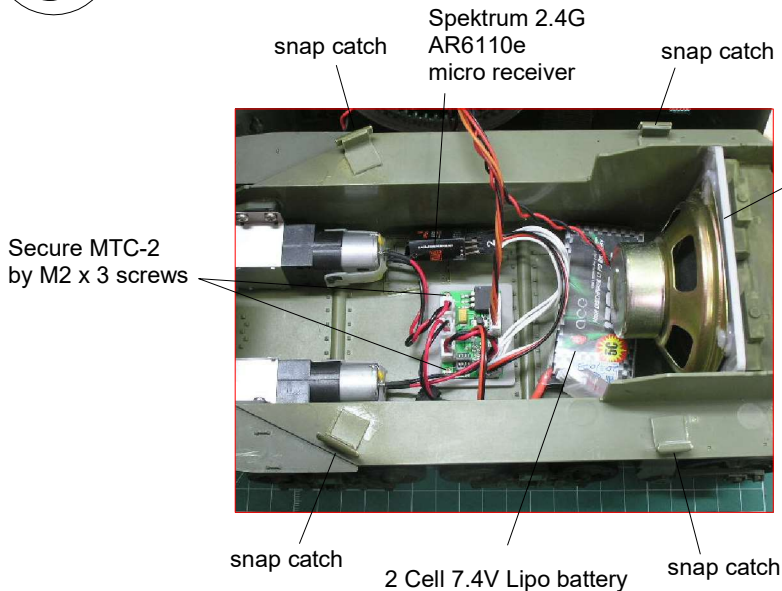
Making machine gun:

- 1) Cut 25mm machine gun barrel from K1
- 2) Drill  $\varnothing 1\text{mm}$  through hole
- 3) Attach to E63



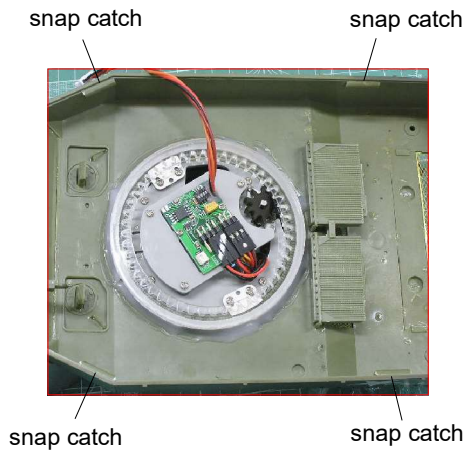
Attach with a non-permanent glue

# 9 Lower hull connections

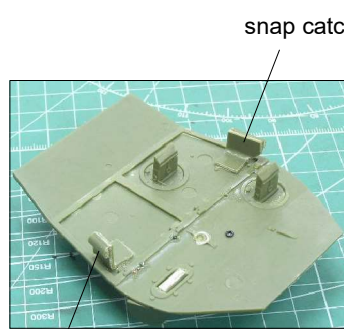


snap catch dimensions

# 10 Turret connections



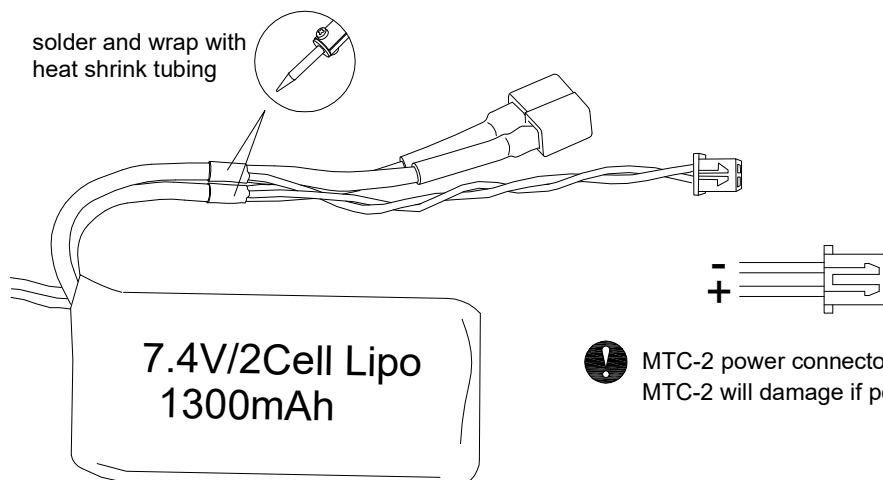
Slide locking plates outward and secure screws



# 11 Using Lipo battery

⚠ Lipo battery can be dangerous if not use properly! Follow all safety precautions and always use a dedicated Lipo charger.

- 1) Use 7.4V/2Cell Lipo battery (800-1500mAh)
- 2) Make sure battery is small enough to put inside the lower hull.
- 3) Solder connector for MTC-2 as shown. Keep original connector for charging.



⚠ MTC-2 power connector  
MTC-2 will damage if polarity is not correct!