

RC Conversion Kit for Classy Hobby 1/16 Luchs (Item no: MC16001) User Manual (Version 1.1)

Attention!

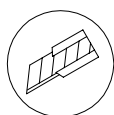
- 1) This kit is designed for experienced model makers. It may be difficult for beginners. Please read this manual thoroughly to see if you have the required skills and tools.
- 2) Cutting tools are used frequently in this kit. Extra care should be taken to avoid injury. Wear hand gloves and eye protection spectacle if necessary.
- 3) Keep room well ventilated when working with cements, paints and organic solvents.
- 4) Visit www.35rctank.com for addition tips and update information.



side cutter



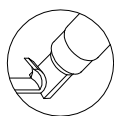
apply cement



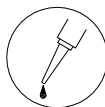
modelling knife



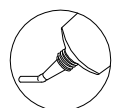
do not apply cement



carving knife



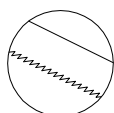
apply instant glue



all purpose glue



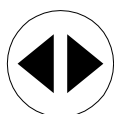
solder



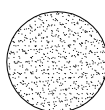
hand saw



apply lubrication oil



both sides

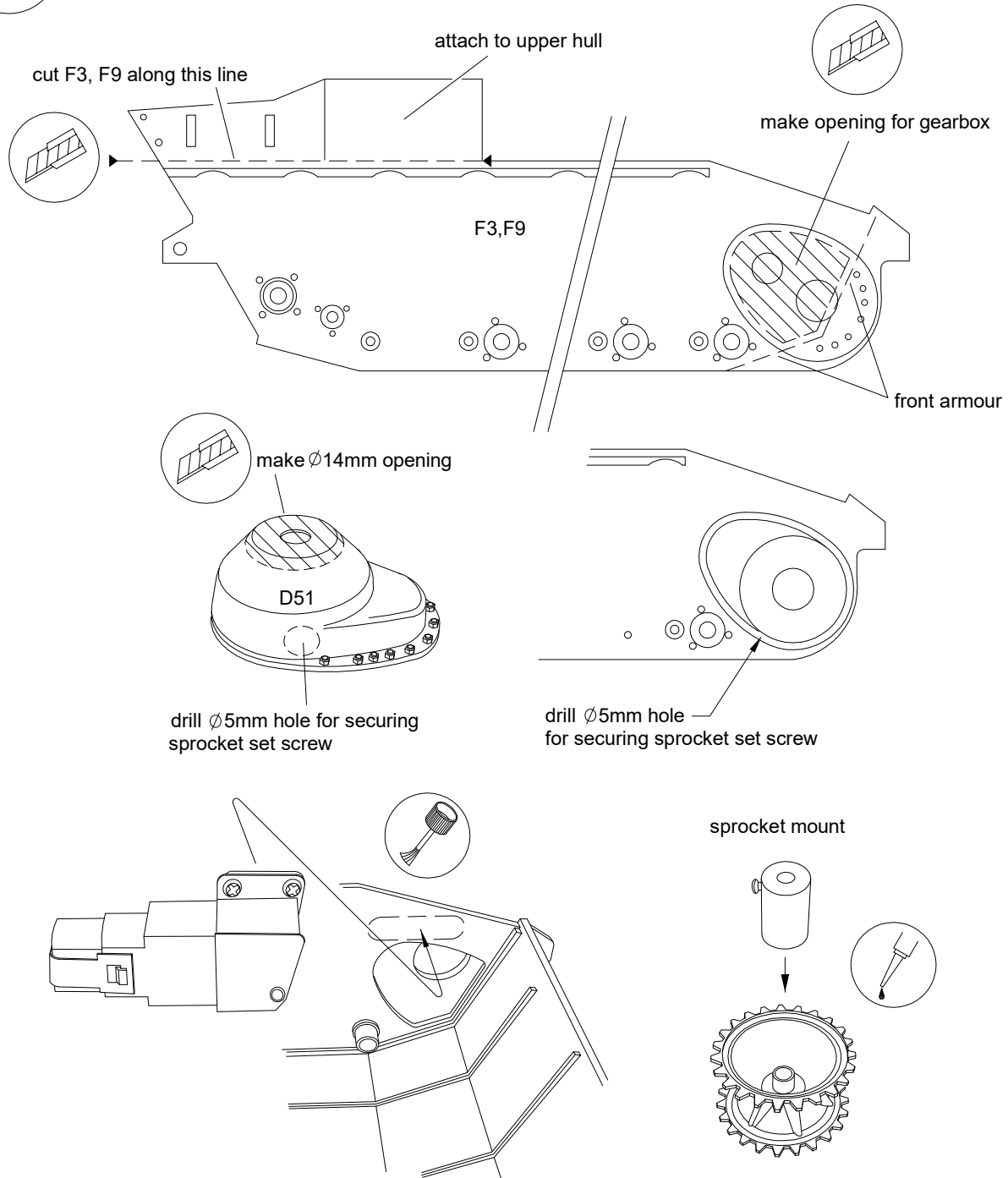


polish with sand paper

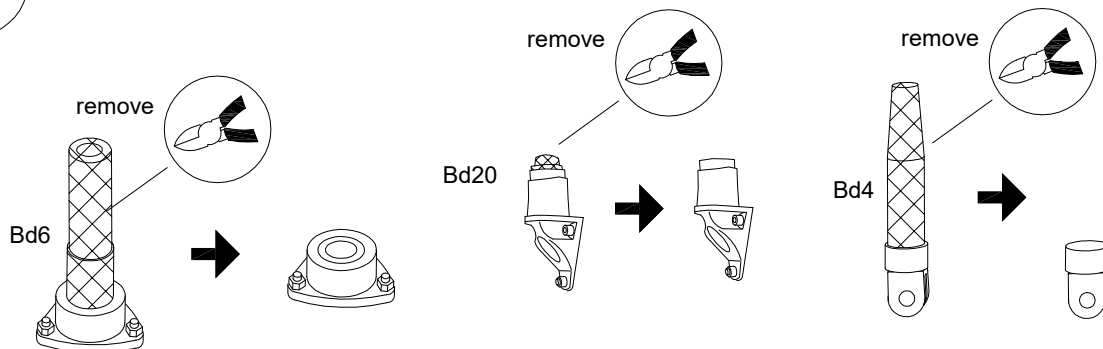


Attention!

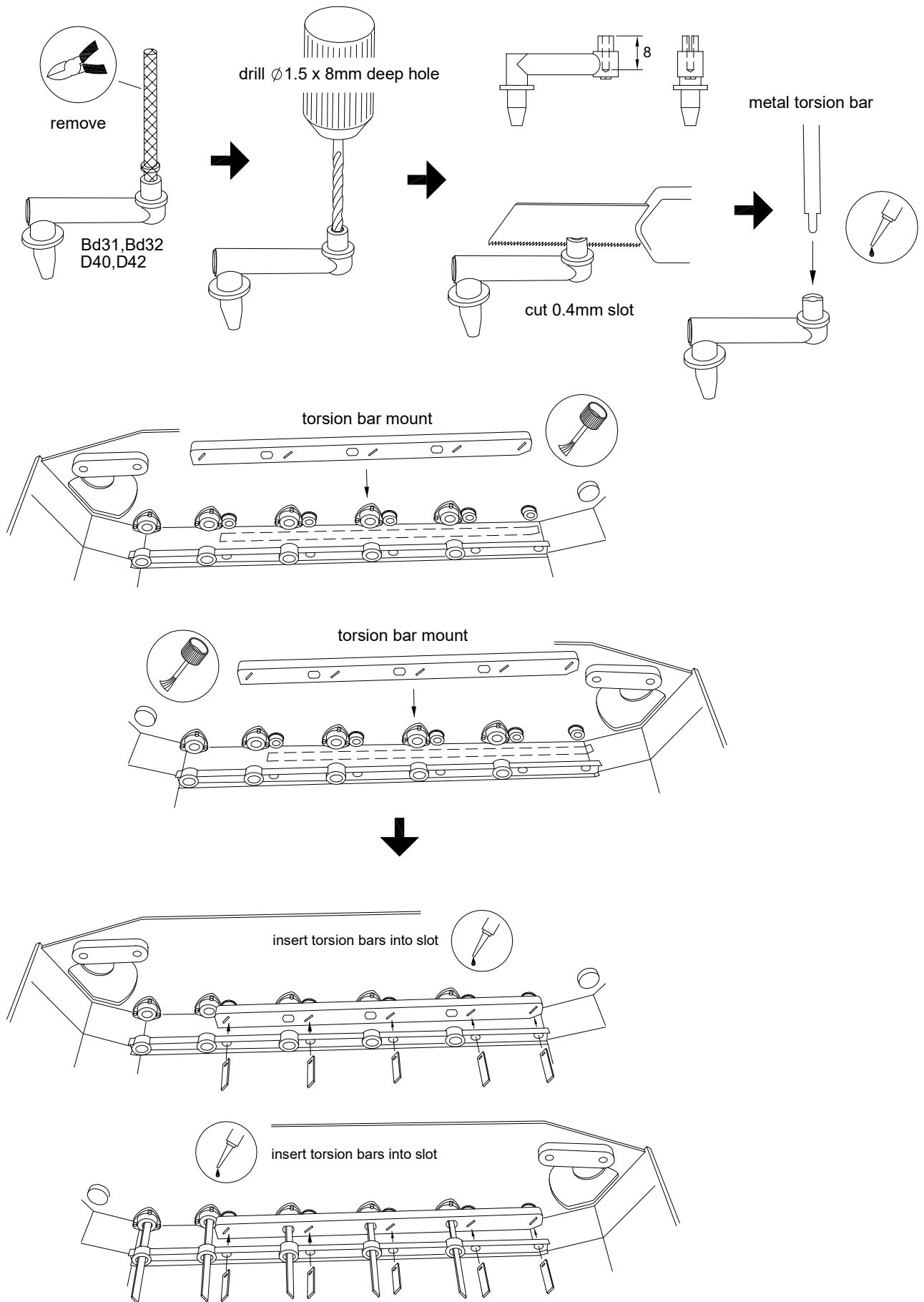
1 Gearbox



2 Torsion bars

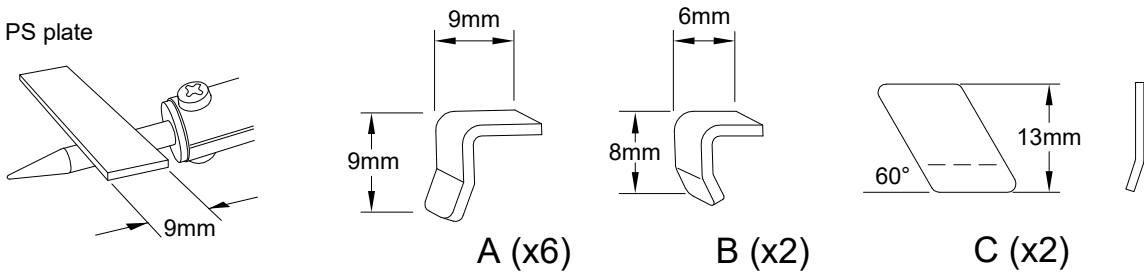


2 Torsion bars

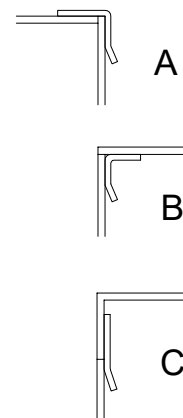
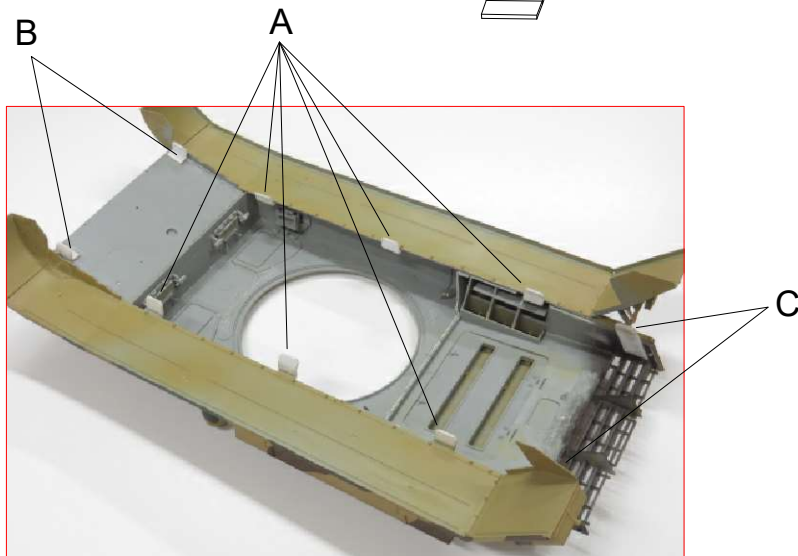
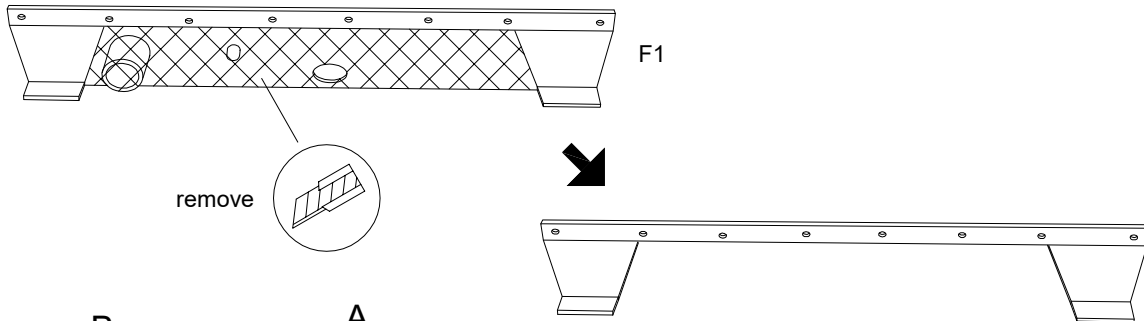
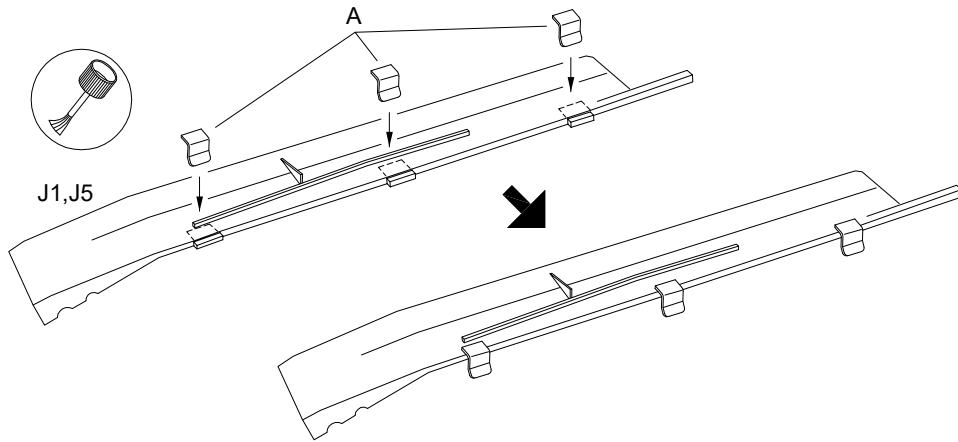


3 Upper hull

1mm PS plate

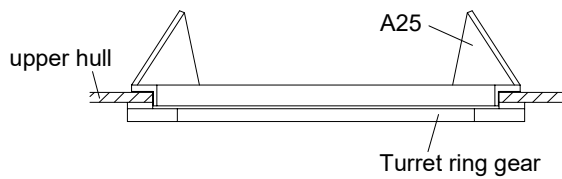
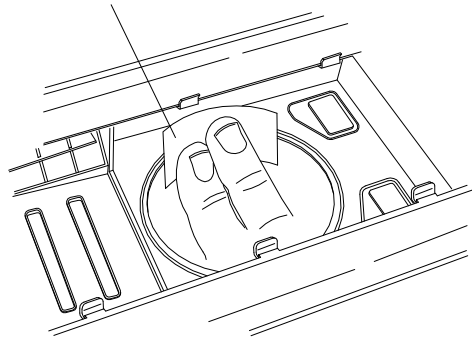


! Use soldering iron to heat and bend 1mm PS plate
 Keep PS plate 1-2mm from soldering tip.
 Do not touch soldering tip!

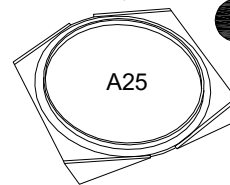
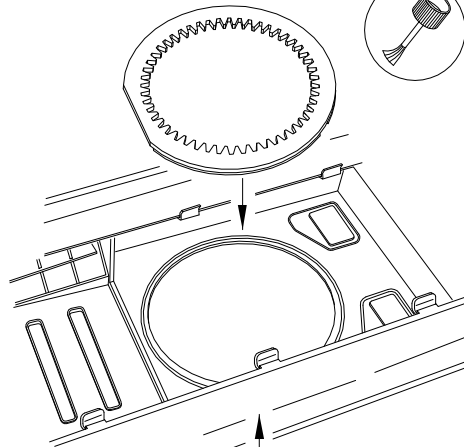


4 Turret ring gear

! To have smooth turret rotation, polish turret ring slightly with abrasive paper.



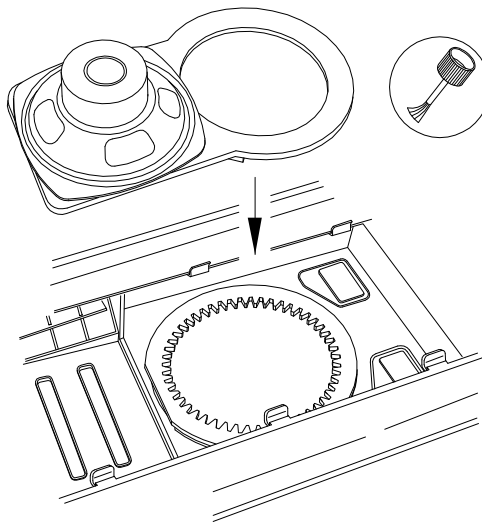
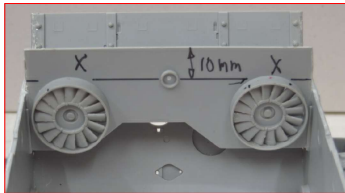
Turret ring gear



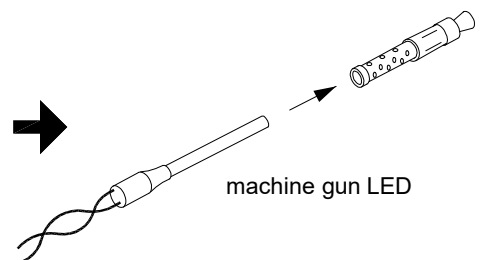
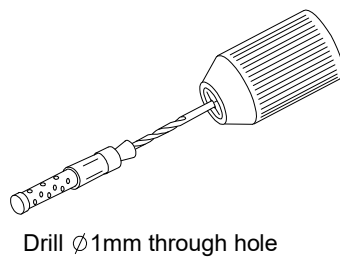
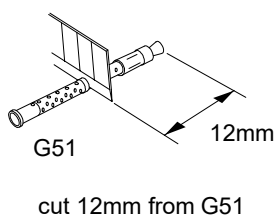
! Attach A25 temporary for alignment

5 Speaker

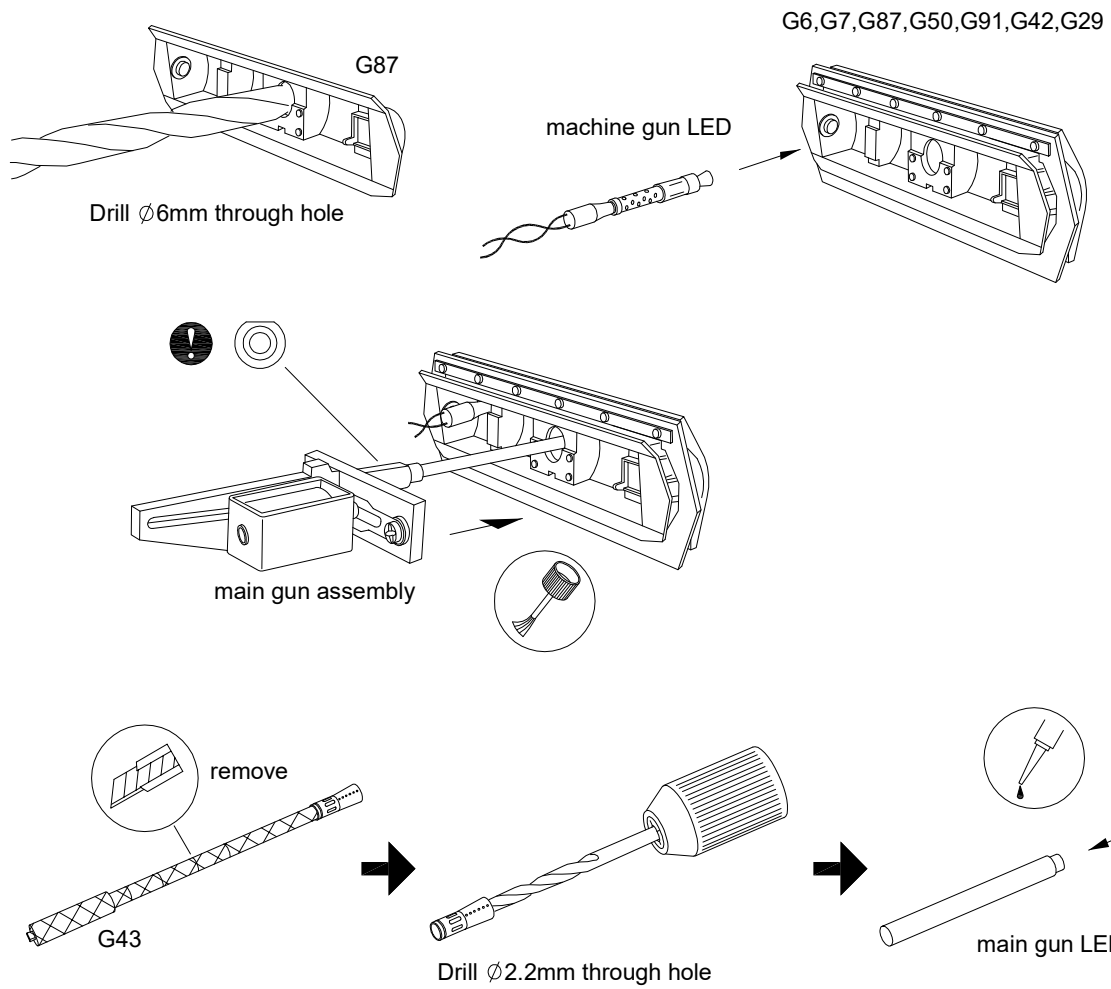
! To make room for speaker, remove top 10mm of cooling fan.



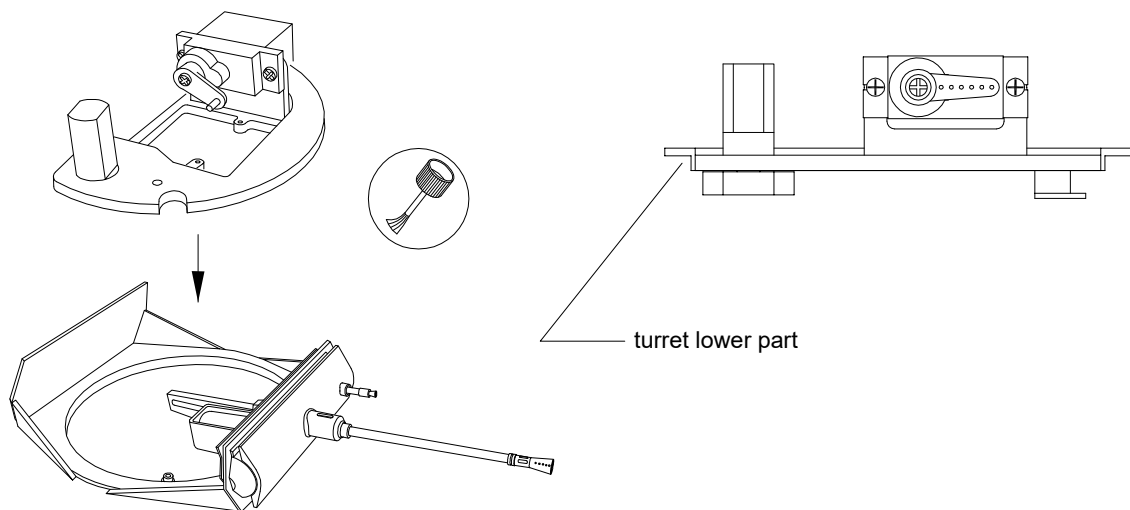
6 Machine gun led



7 Main gun

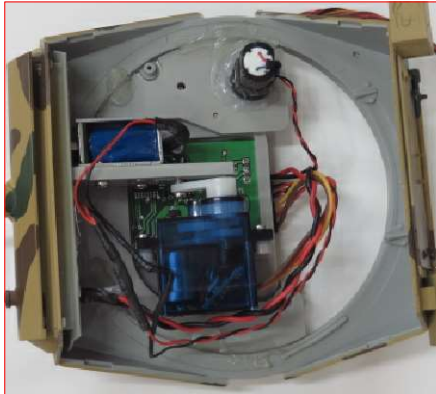


8 Turret servos



9 ACU connections

⚠ keep cables away from moving parts

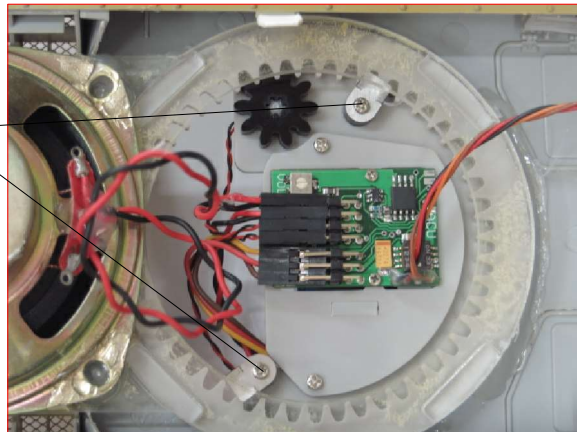


secure ACU with M1.7 screws



10 Attach turret

Rotate and secure the locking plate

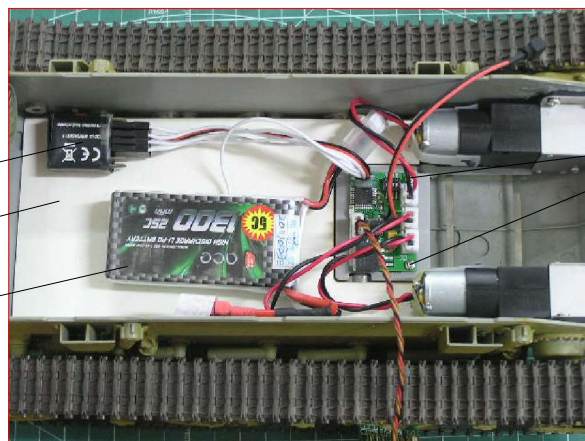


11 Lower hull connections

Spektrum 2.4G
AR6110e
micro receiver

carboard

2 Cell 7.4V Lipo battery



Secure MTC-2
by M2 x 3 screws

12 Using Lipo battery

⚠ Lipo battery can be dangerous if not use properly! Follow all safety precautions and always use a dedicated Lipo charger.

- 1) Use 7.4V/2Cell Lipo battery (800-1500mAh)
- 2) Make sure battery is small enough to put inside the lower hull.
- 3) Solder connector for MTC-2 as shown. Keep original connector for charging.

