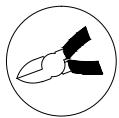


RC Conversion Kit for Tamiya 1/16 Leopard A4

Note: This kit is designed for TAMIYA Item 36207 and may not be suitable for early Leopard 1A4 versions

Attention!

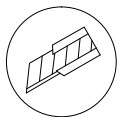
- 1) This kit is designed for experienced model makers. It may be difficult for beginners. Please read this manual thoroughly to see if you have the required skills and tools.
- 2) Cutting tools are used frequently in this kit. Extra care should be taken to avoid injury. Wear hand gloves and eye protection spectacles if necessary.
- 3) Keep room well ventilated when working with cements, paints and organic solvents.
- 4) Visit www.35rctank.com for additional tips and update information.



side cutter



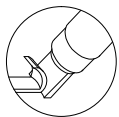
apply cement



modelling knife



do not apply cement



carving knife



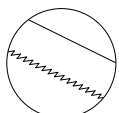
apply instant glue



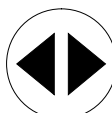
all purpose glue



solder



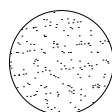
hand saw



both sides



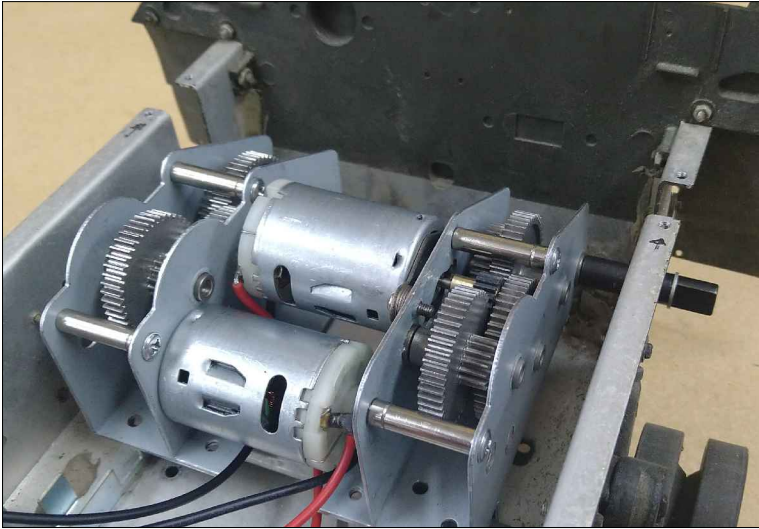
Attention!



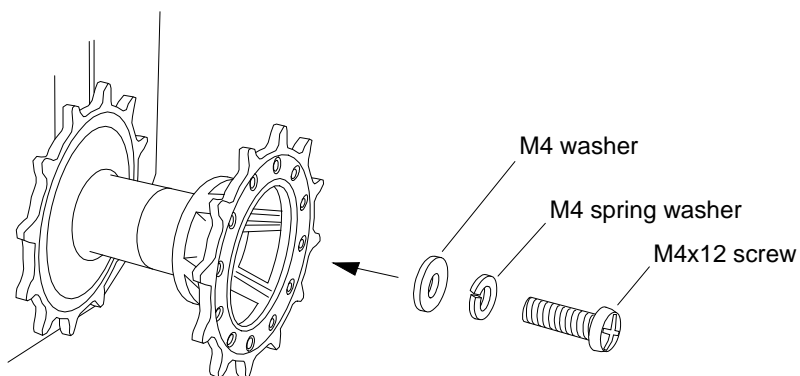
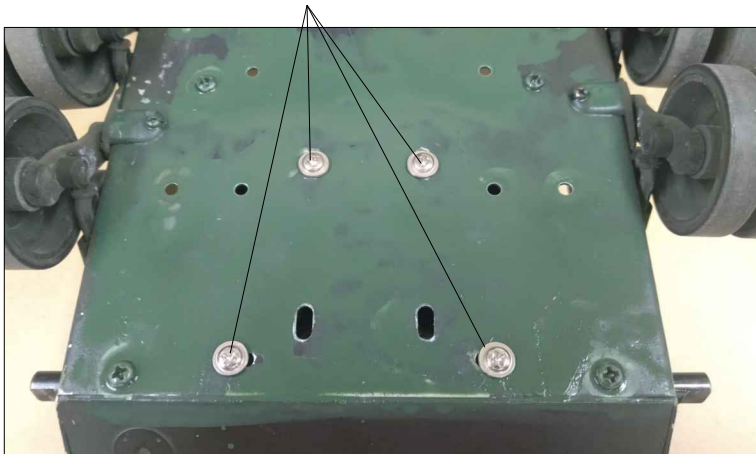
polish with sand paper

1 Gearbox and sprocket

install gearbox as shown



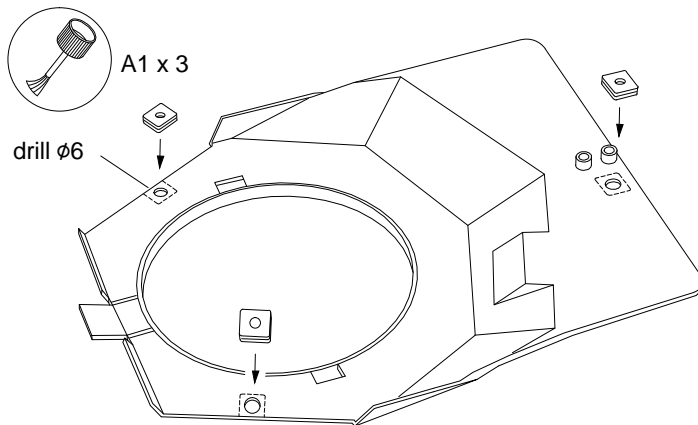
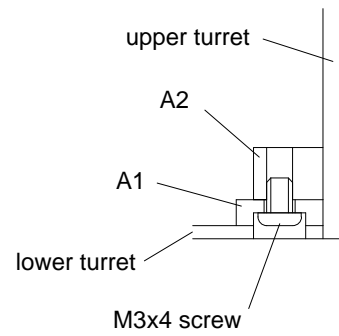
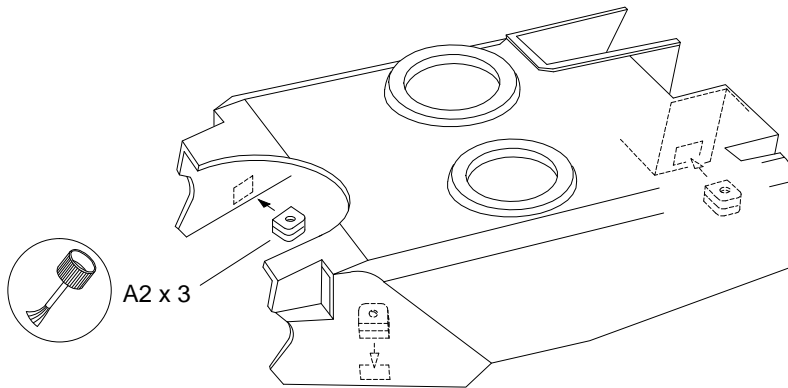
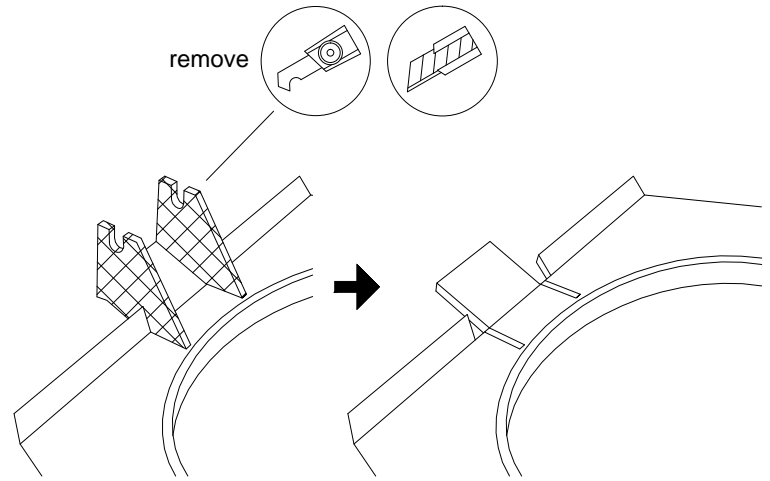
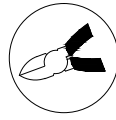
secure gearbox with M3x5 screws



secure sprocket with M4x12 screw

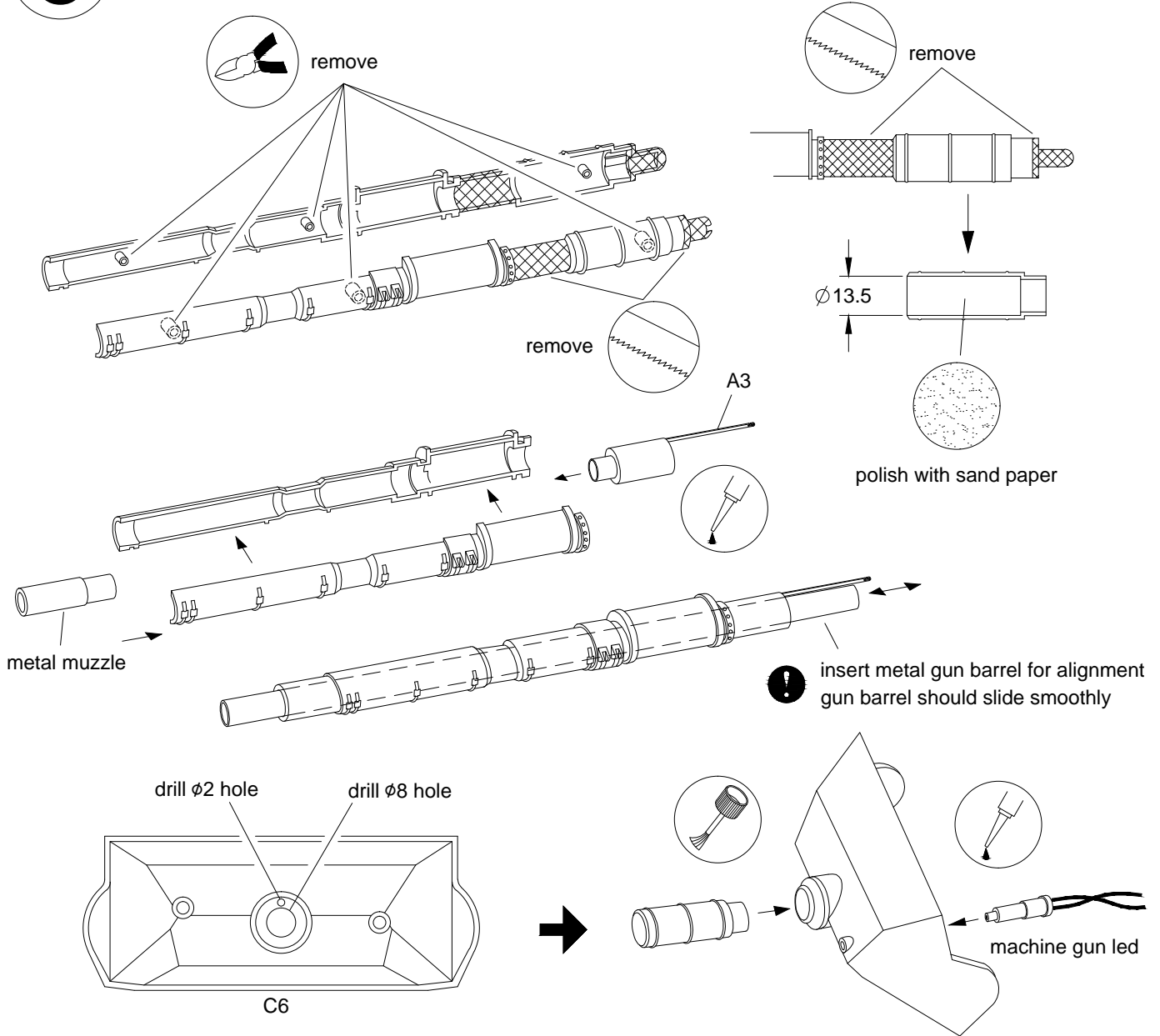
2 Turret

remove turret locking plates

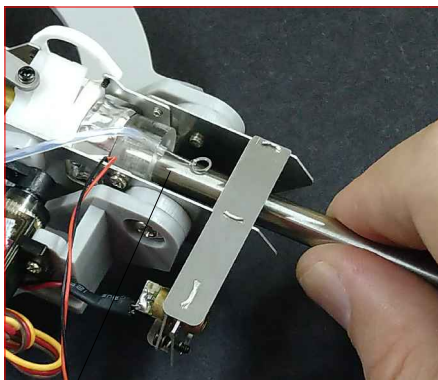


! insert 1mm ring washer

3 Gun barrel

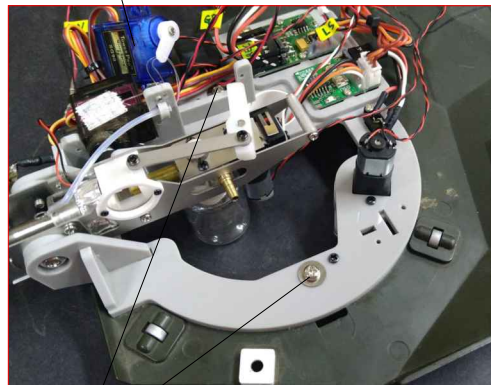


4 Gun assembly (1)



! Carefully rotate and press the metal gun barrel into the gun assembly. No glue is required!

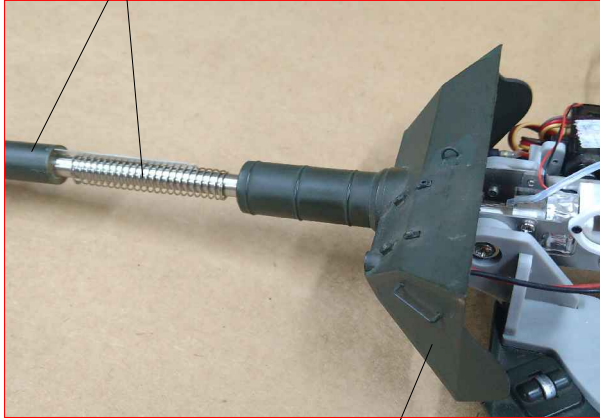
1) remove recoil servo temporary



2) secure gun assembly with M3x5 screw and plate washer
3) re-install the recoil servo

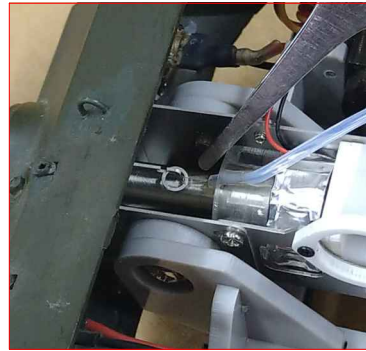
5 Attach gun barrel

insert gun barrel and recoil spring

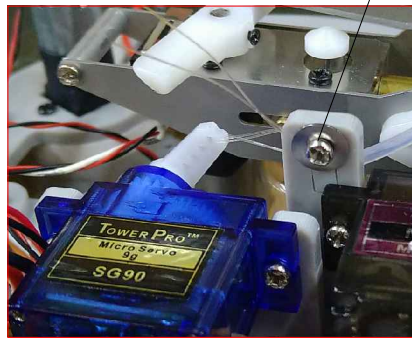


Make sure the gun mantlet is well aligned. Attach gun mantlet by instant glue.

Attach recoil fishing line into hook

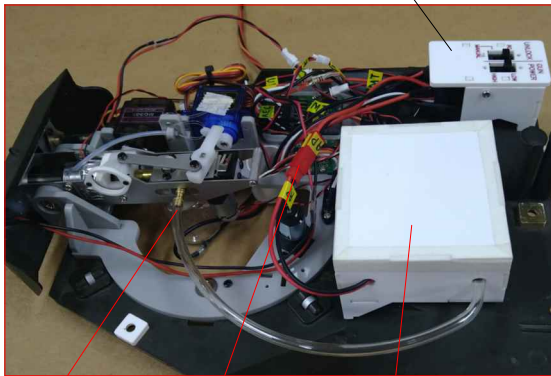


Adjust recoil travel here



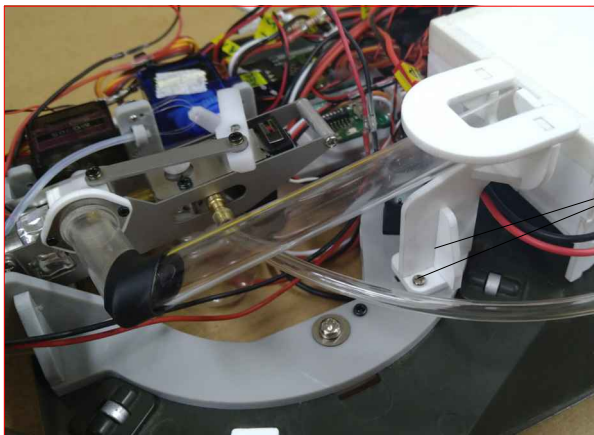
6 Gun assembly (2)

attach switch mounts with all purpose glue



switch mounts position

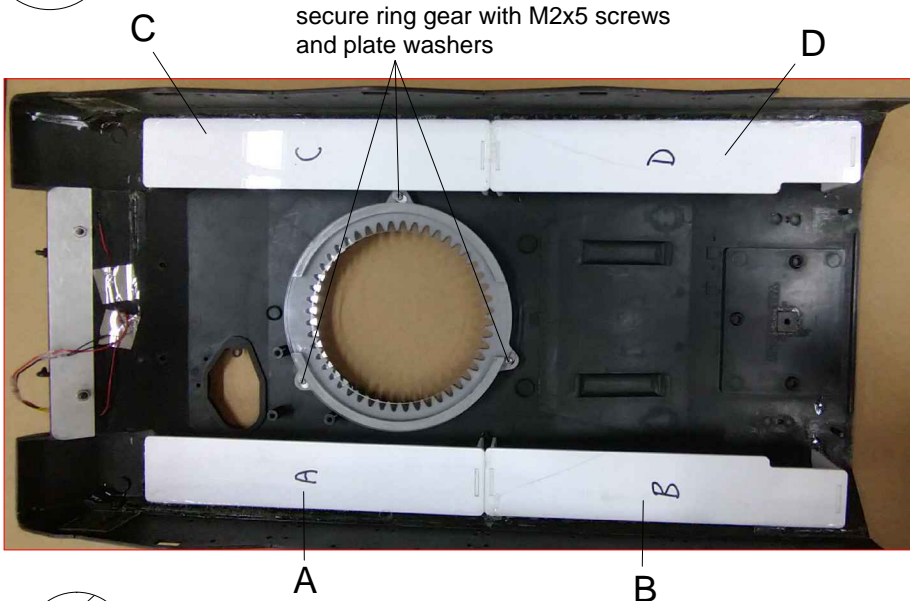
attach air hose connect power attach pump with double side adhesive tape



attach BB tray
M2x5 screws
M1.4x4 screws



7 Turret ring gear and track covers



⚠ Notice correct orientation - mirror plate in front



attach track covers A,B,C,D with all purpose glue

8 LED head lights



1) use aluminum sticker to make reflector



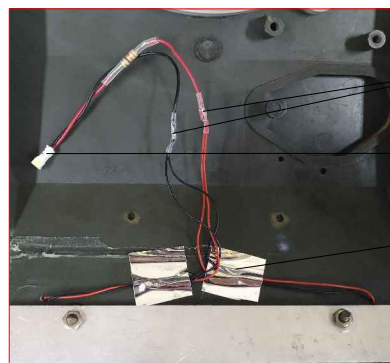
2) drill $\phi 1.2\text{mm}$ hole



3) insert LED head light



4) drill $\phi 1.2\text{mm}$ hole on upper hull



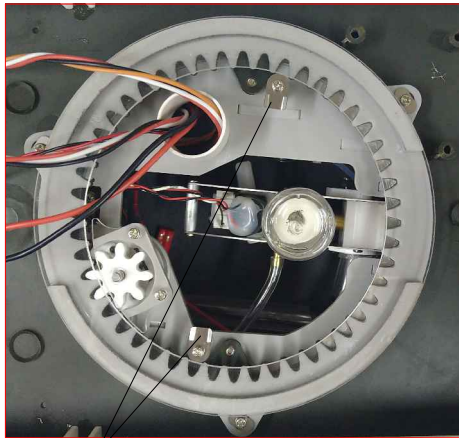
5) attach head lights and connect to power connectors

wrap with heat shrink tubings

LED power connector

secure cables with adhesive tapes

9 Attach turret

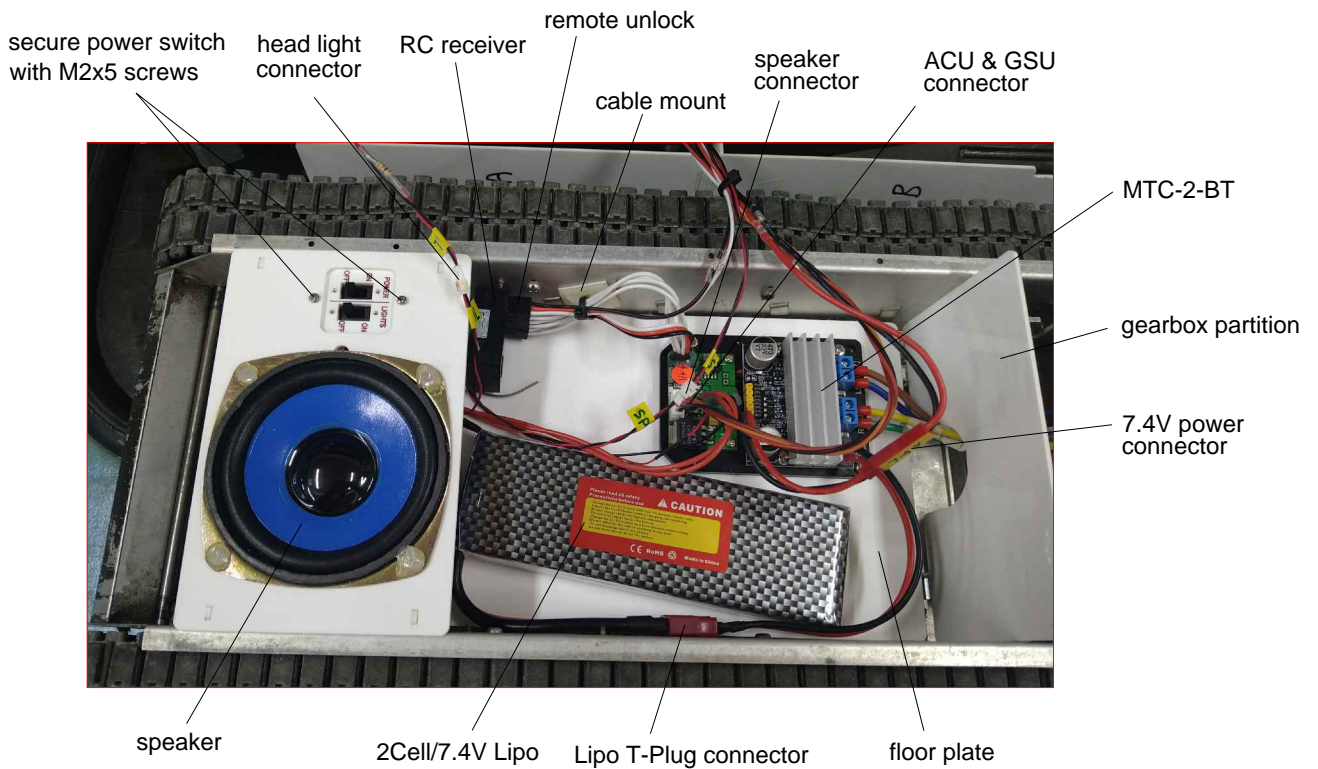


1) rotate locking plate inward, attach turret to lower hull



2) rotate and secure locking plate

10 Lower hull connections



Use T-Plug 2 Cell (7.4V) Lipo

- ! Lipo battery can be dangerous if not use properly!
Follow all safety precautions and always use a dedicated Lipo charger.