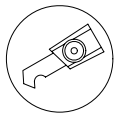


RC Conversion Kit for Tamiya 1/35 M2A2 Bradley, with ACU

User Manual

Attention!

- 1) This kit is designed for experienced model makers. It may be difficult for beginners. Please read this manual thoroughly to see if you have the required skills and tools.
- 2) Cutting tools are used frequently in this kit. Extra care should be taken to avoid injury. Wear hand gloves and eye protection spectacle if necessary.
- 3) Keep room well ventilated when working with cements, paints and organic solvents.
- 4) Visit www.35rctank.com for addition tips and update information.



scriber



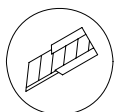
apply cement



side cutter



do not apply cement



modelling knife



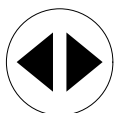
apply instant glue



carving knife



do not apply instant glue



both sides



wait overnight



all purpose glue

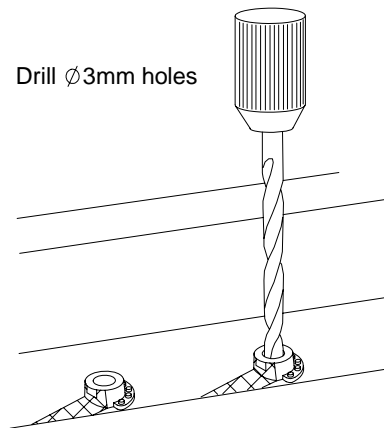
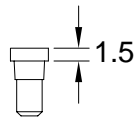
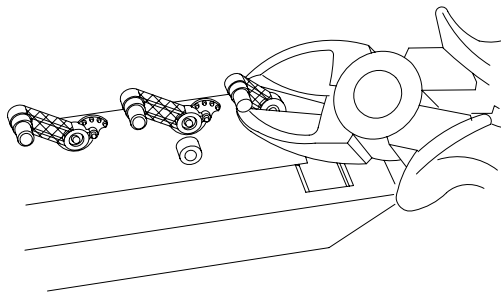
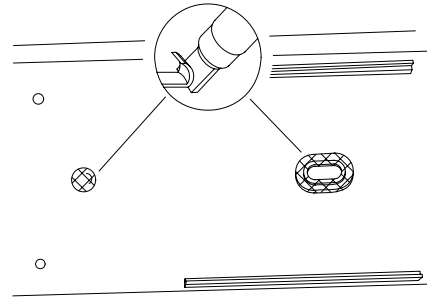
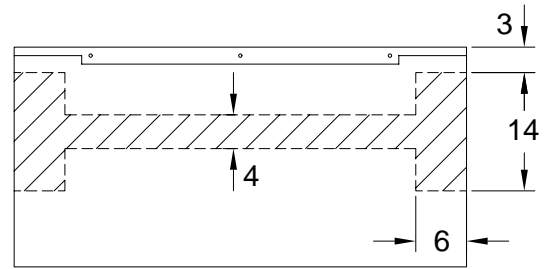
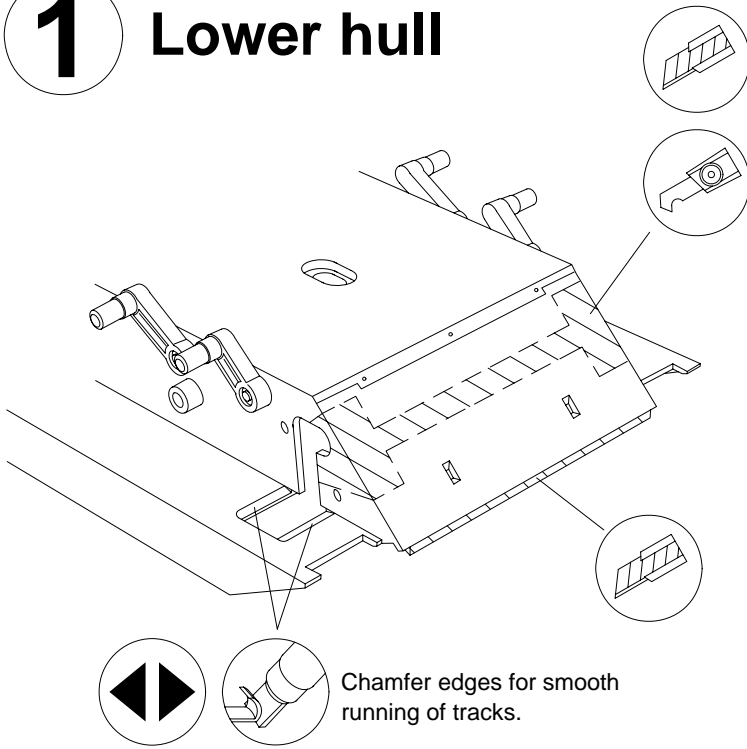


solder



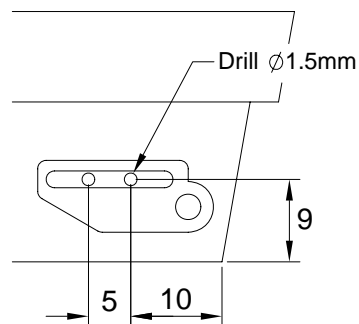
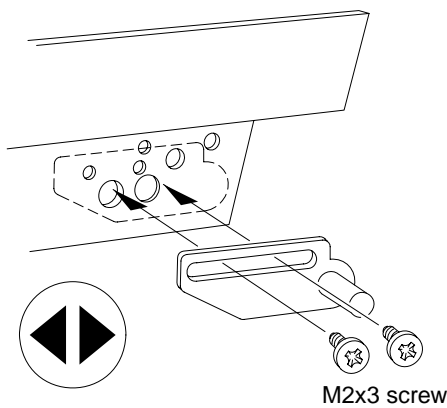
Attention!

1 Lower hull

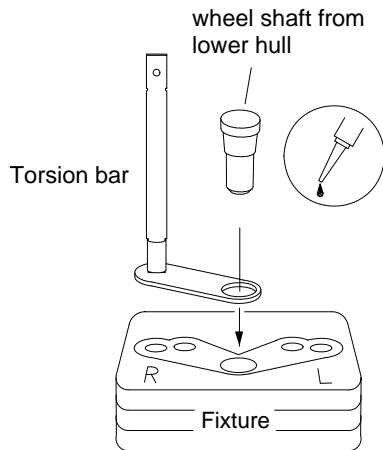


! Remove wheel shaft carefully. Collect 12 wheel shafts for later use.

2 Idler wheel shaft

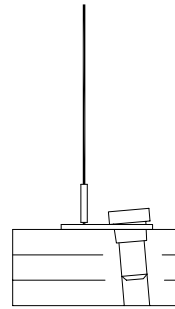


3 Suspension arms

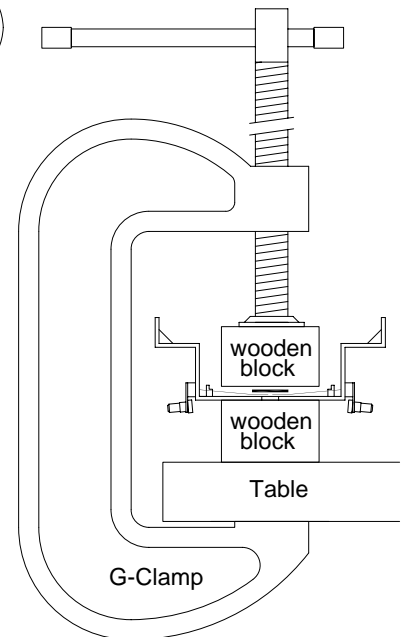
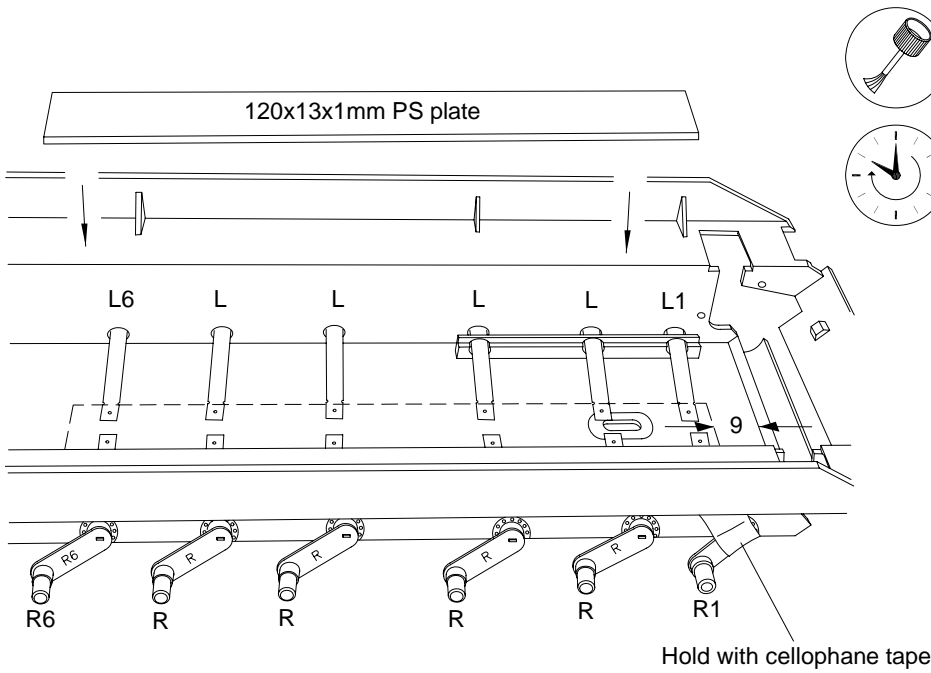


Place torsion bar on top of fixture. Note different position for left and right arms. Insert wheel shaft and apply instant glue carefully.

Attention - Too much glue will stick arm to fixture!



! The suspension arms will tilt under loading. The shaft is tilt in purpose for compensation.

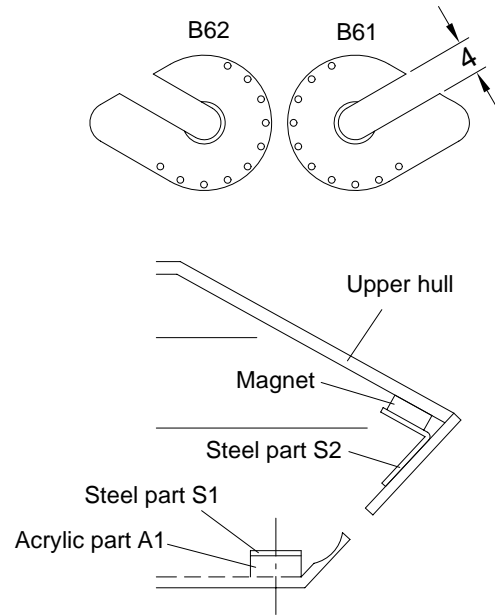
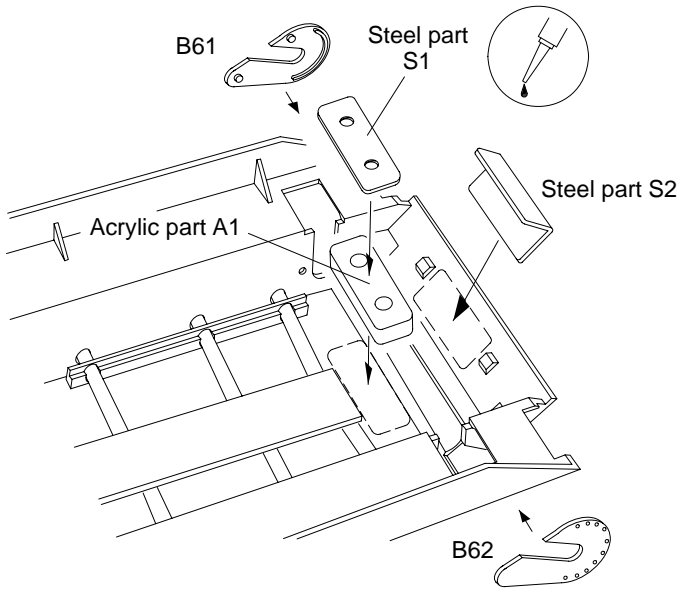



Use G-clamp or apply weights

- !** 1) Hold all suspension arms with cellophane tape.
- 2) Cut 1mm PS plate. Apply lots of cement to PS plate and lower hull.
- 3) Use G-clamp or add weights to press PS plate firmly to lower hull.
- 4) Wait till cement has cured completely.

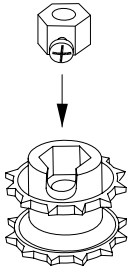
X Attention - Do not use instant glue! It will spread along torsion bars and stick suspension arms.

4 Motor and sprocket



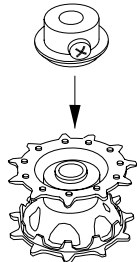
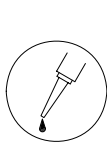
 Position A1, S1 at centre line of lower hull.
Avoid instant glue entering screw thread.

6mm hexagonal nut

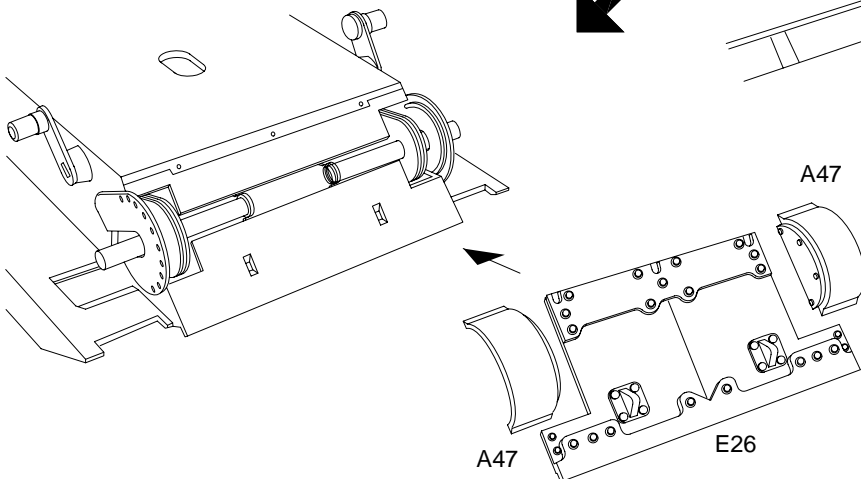
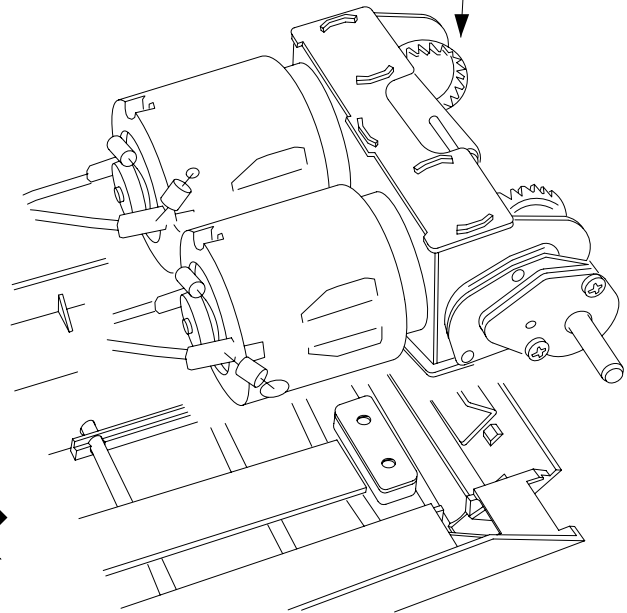


TAMIYA sprocket
Drill $\varnothing 3\text{mm}$ hole and
cut slot for set screw

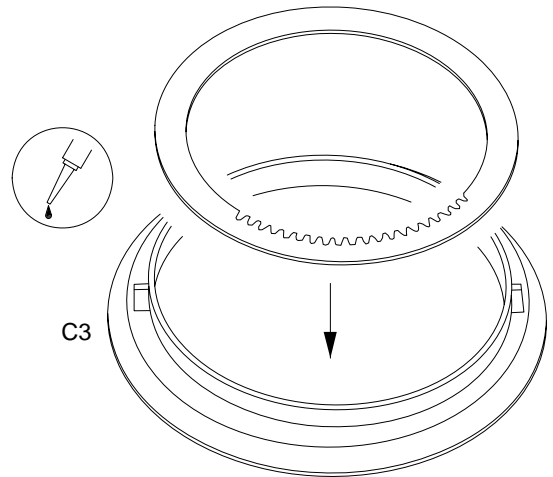
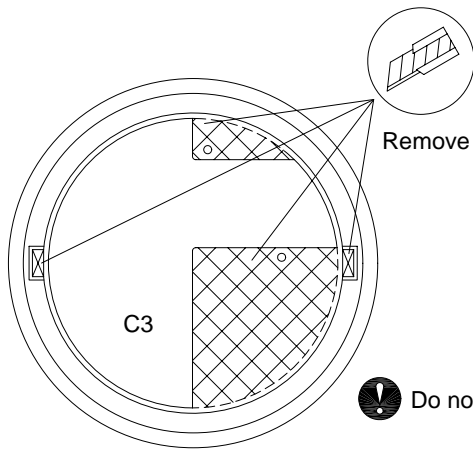
Friulmodel sprocket mount



Friulmodel sprocket
(ATL-78, ATL-79)

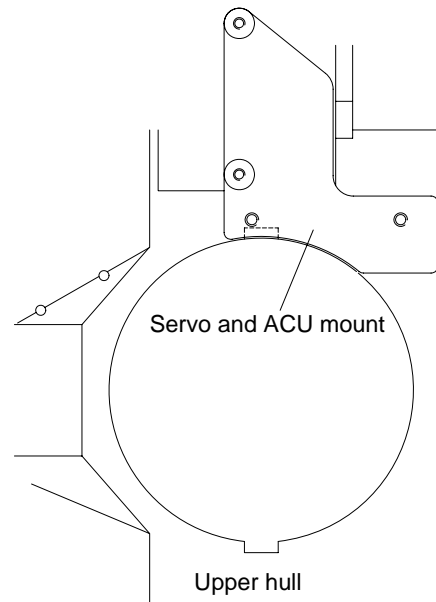
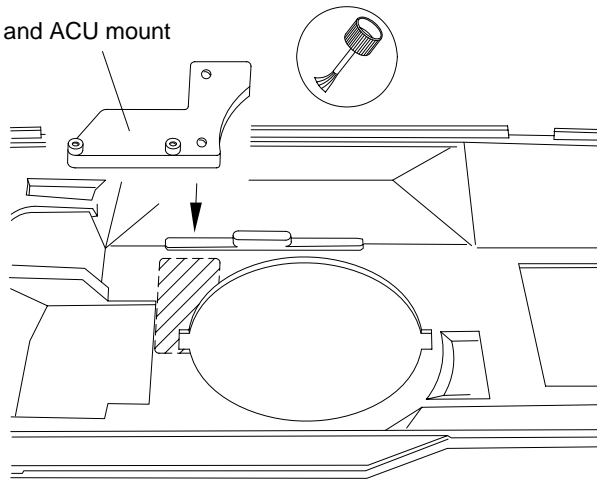


5 Turret ring gear

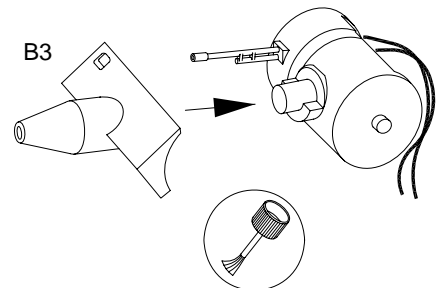
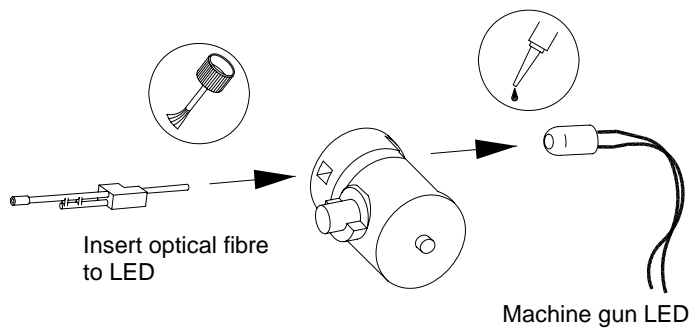


6 Servo and ACU mount

Servo and ACU mount

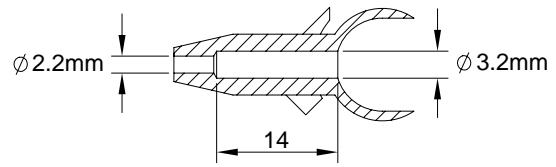
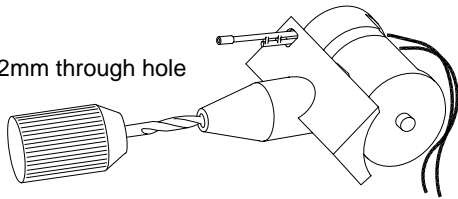


7A Machine gun LEDs

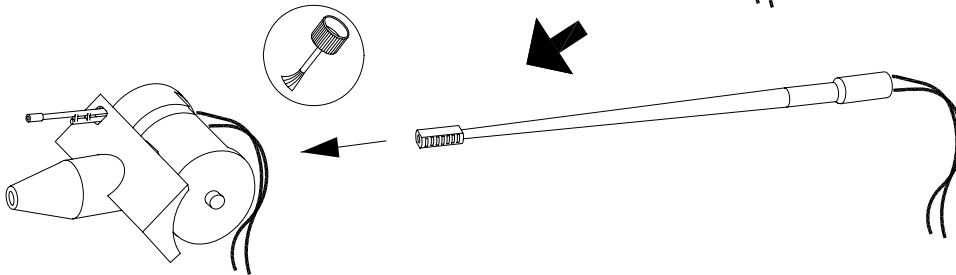
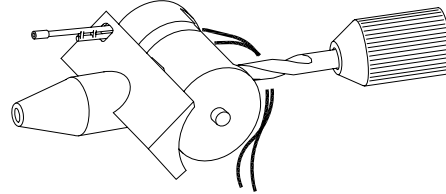


7B Machine gun LEDs

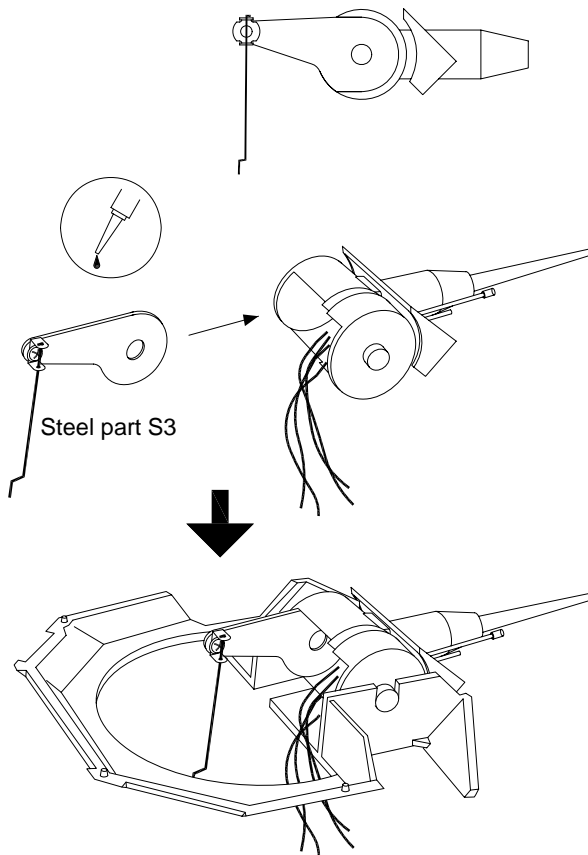
Drill $\varnothing 2.2\text{mm}$ through hole



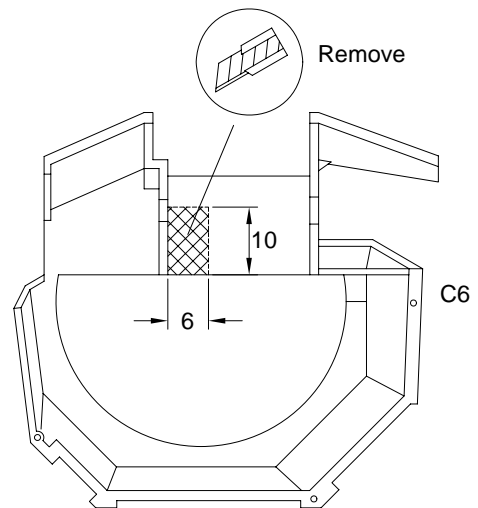
Drill $\varnothing 3.2\text{mm}$ hole x 14mm deep



8 Turret lower parts

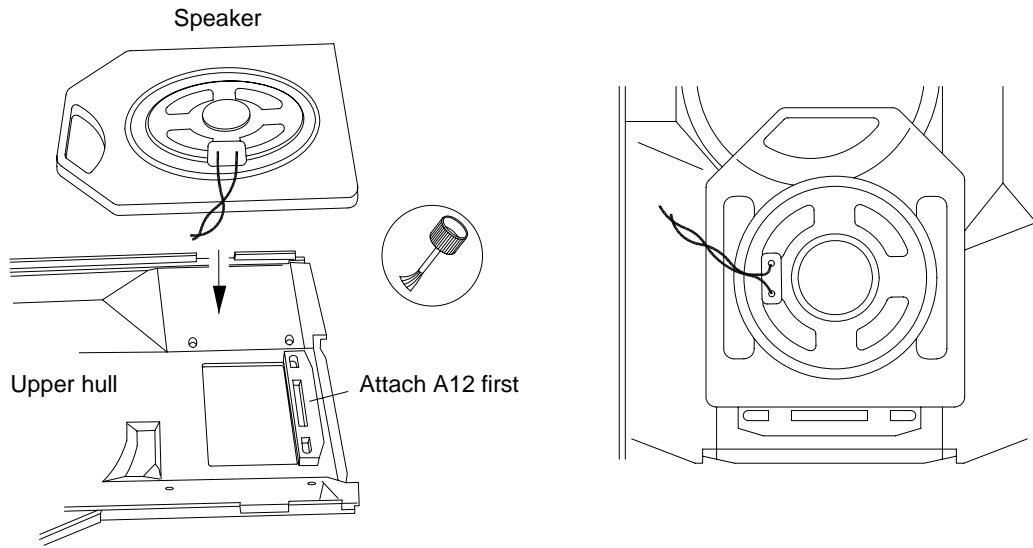


Steel part S3

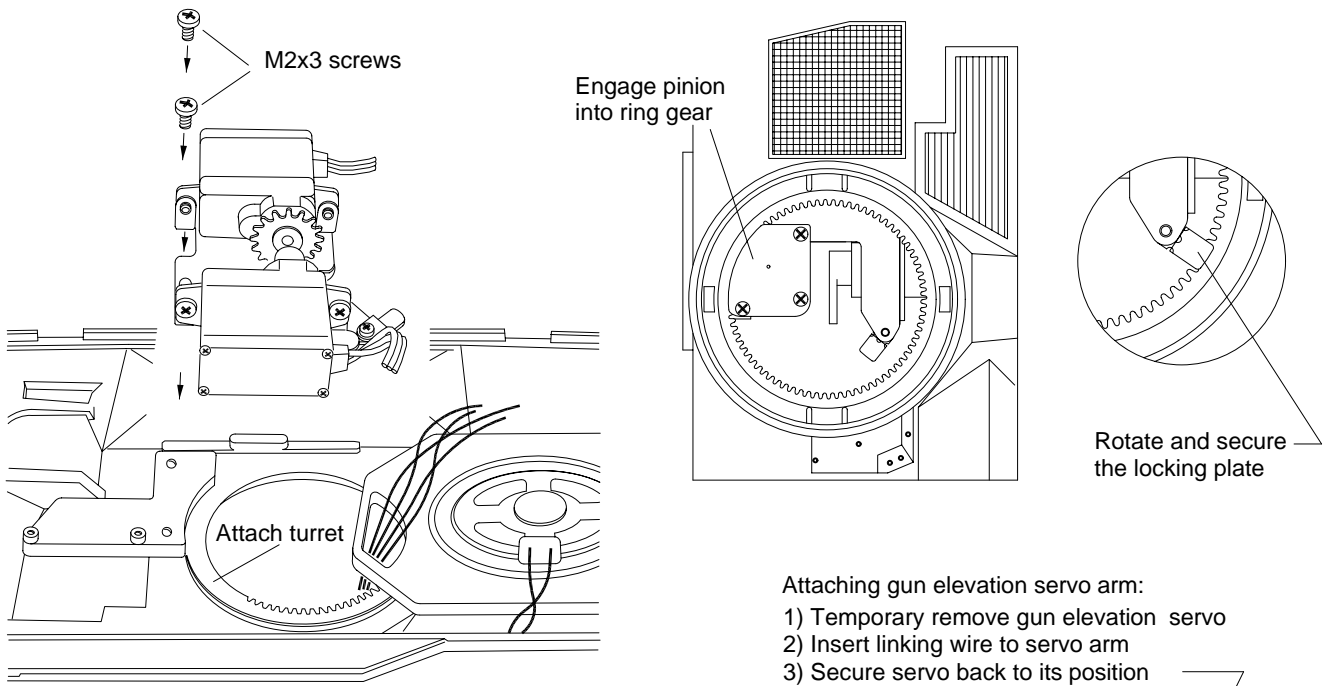


C6

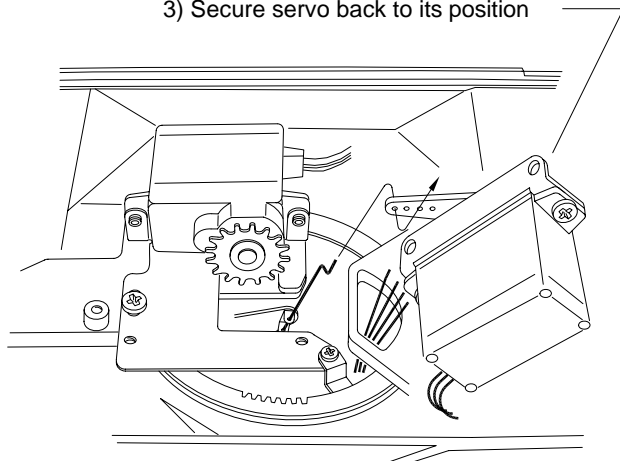
9 Speaker



10 Turret and gun servo assembly



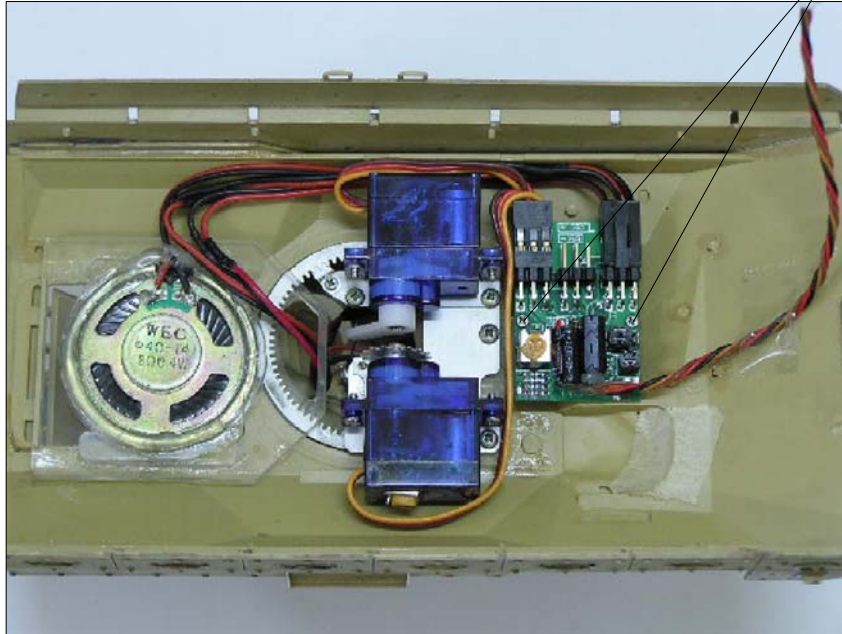
- Attaching turret and gun servo assembly:
- 1) Attach turret ring gear to upper hull.
 - 2) Engage pinion into ring gear as shown. Secure using two M2 screws.
 - 3) Adjust position for smooth turret rotation.
 - 4) Rotate and secure the locking plate.



11 MTC-2 and ACU connections

- 1) Connect servos, speaker and LEDs according to ACU manual.
- 2) Tie up cables neatly and away from moving parts.

secure ACU with M1.7 screws

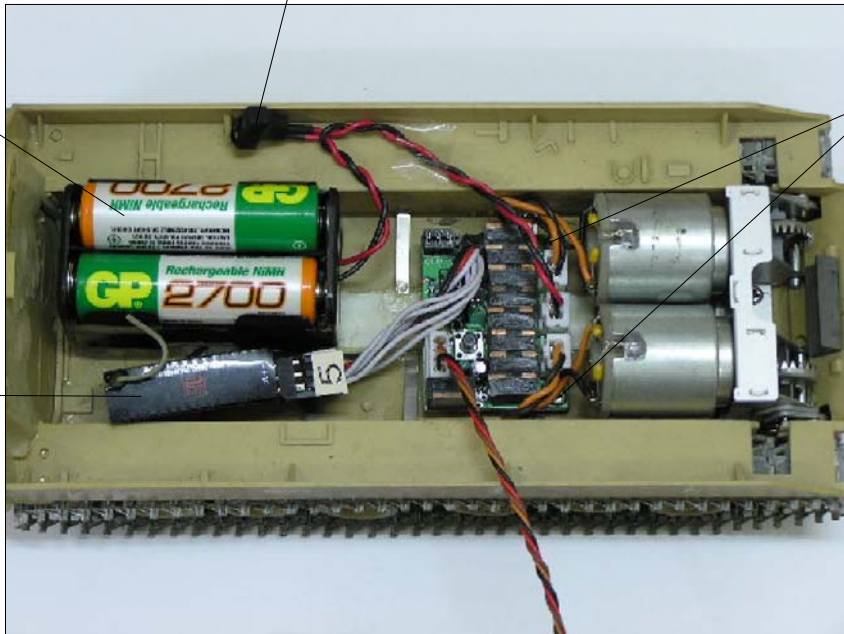


power switch

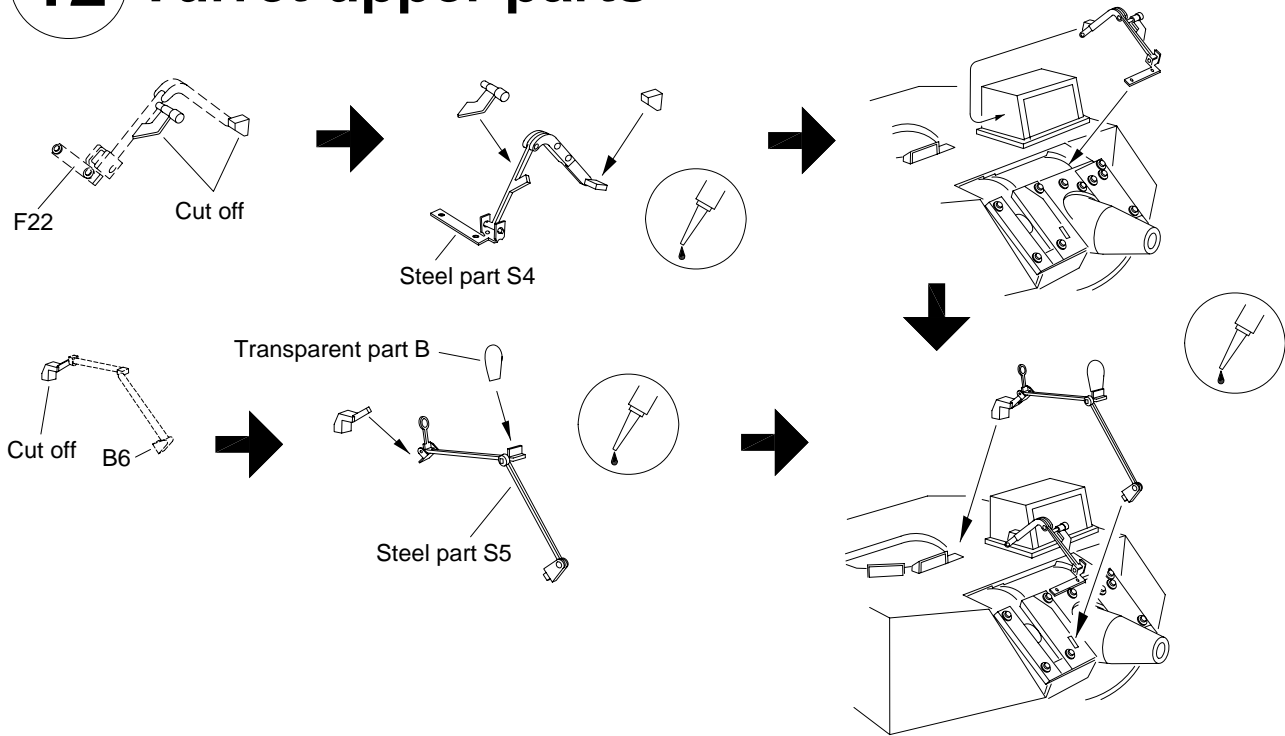
AAx4 battery case

Secure MTC-2 by M2 x 3 screws

Spektrum 2.4G AR6100e micro receiver



12 Turret upper parts



13 Antenna (for FM/AM receivers)

