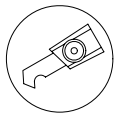


RC Conversion Kit for Tamiya 1/35 M113A2, with MTC-2 and ACU

User Manual

Attention!

- 1) This kit is designed for experienced model makers. It may be difficult for beginners. Please read this manual thoroughly to see if you have the required skills and tools.
- 2) Cutting tools are used frequently in this kit. Extra care should be taken to avoid injury. Wear hand gloves and eye protection spectacle if necessary.
- 3) Keep room well ventilated when working with cements, paints and organic solvents.
- 4) Visit www.35rctank.com for addition tips and update information.



scriber



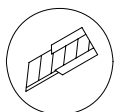
apply cement



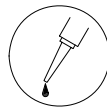
side cutter



do not apply cement



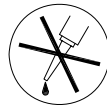
modelling knife



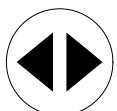
apply instant glue



carving knife



do not apply instant glue



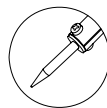
both sides



wait overnight



all purpose glue

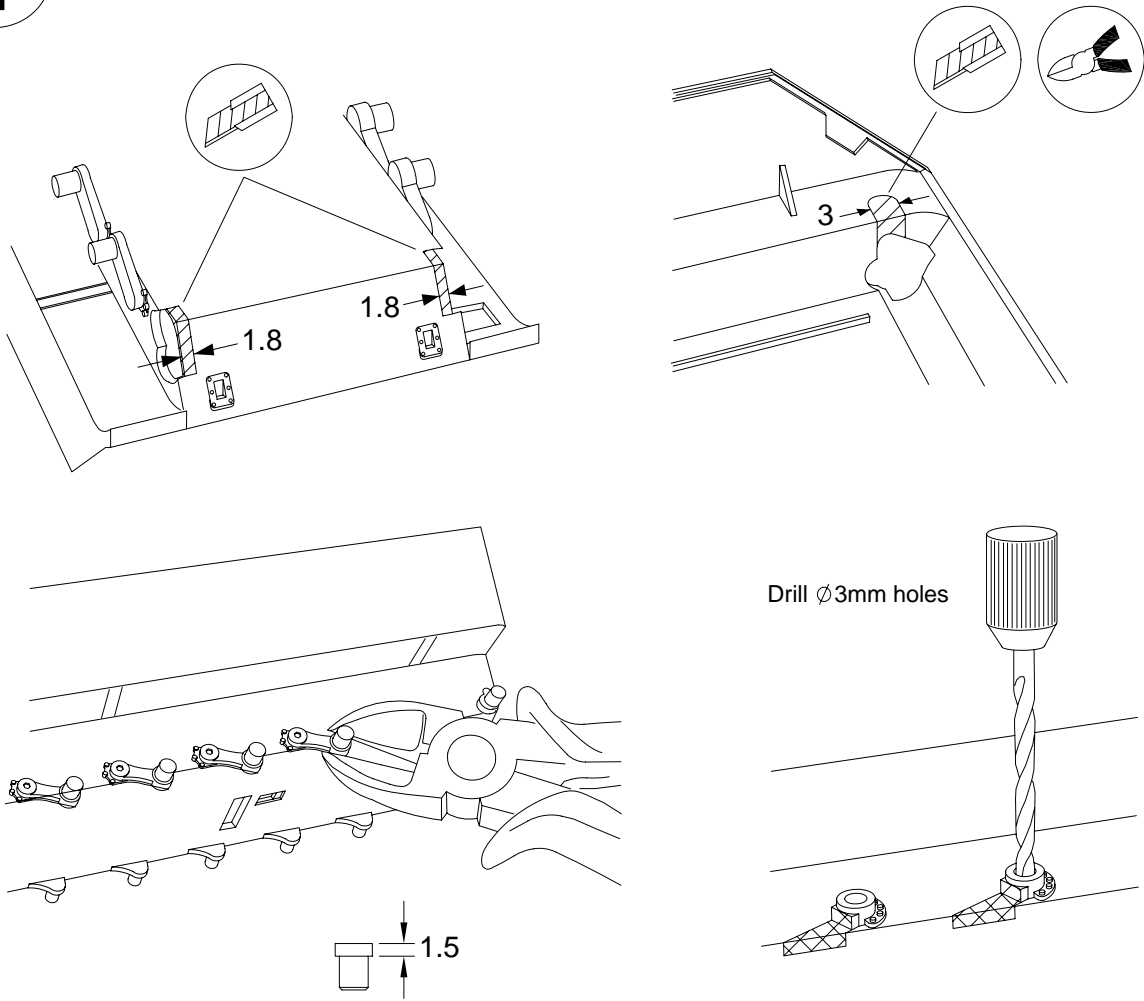


solder



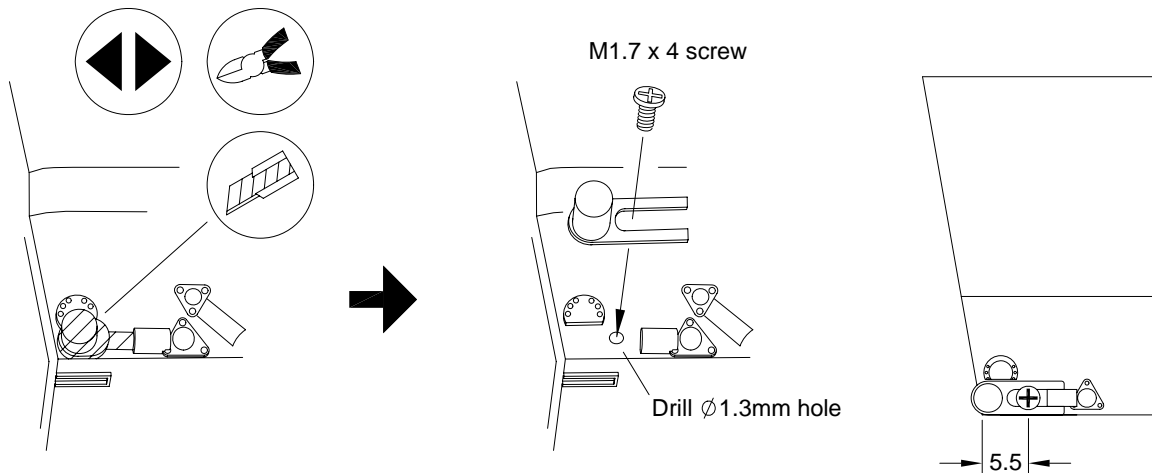
Attention!

1 Lower hull

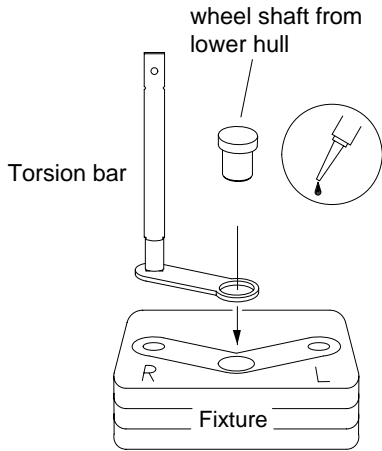


! Remove wheel shaft carefully. Collect 10 wheel shafts for later use.

2 Idler wheel shaft

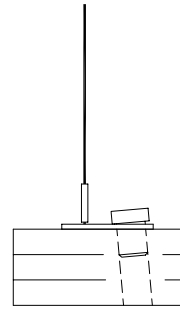


3 Suspension arms

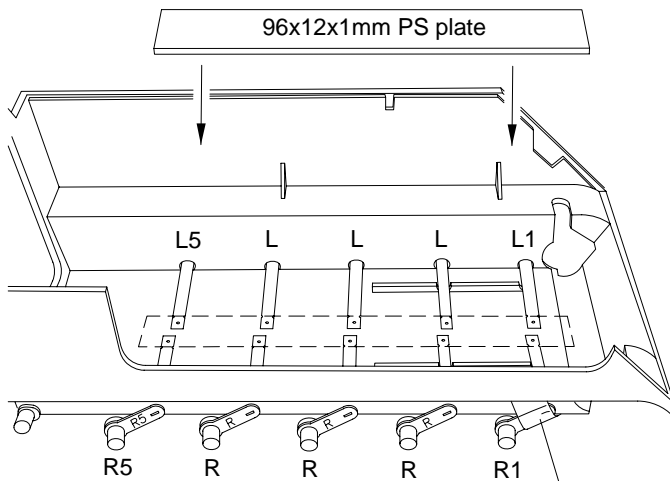


Place torsion bar on top of fixture. Note different position for left and right arms. Insert wheel shaft and apply instant glue carefully.

Attention - Too much glue will stick arm to fixture!



! The suspension arms will tilt under loading. The shaft is tilt in purpose for compensation.

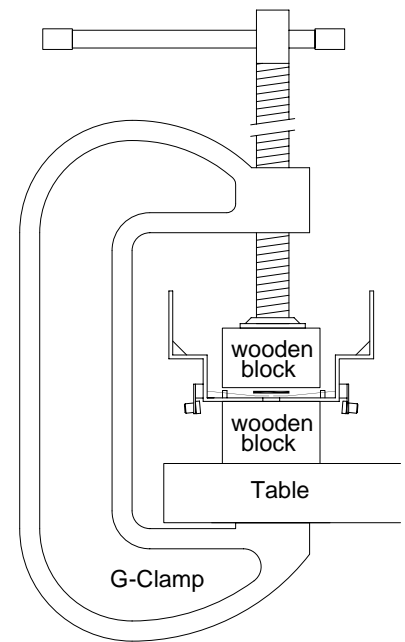


Hold with cellophane tape



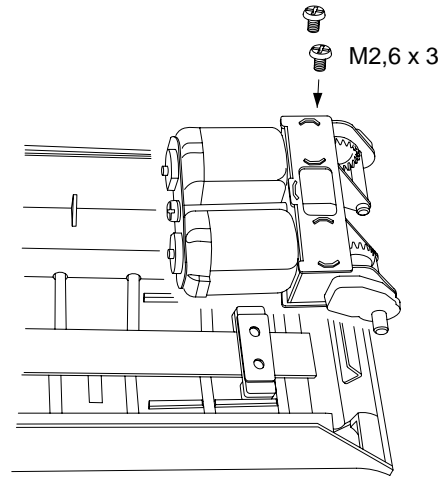
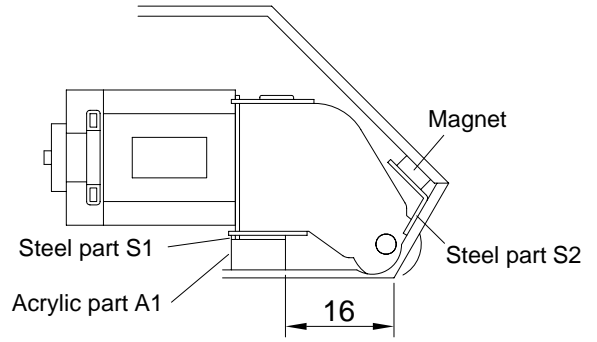
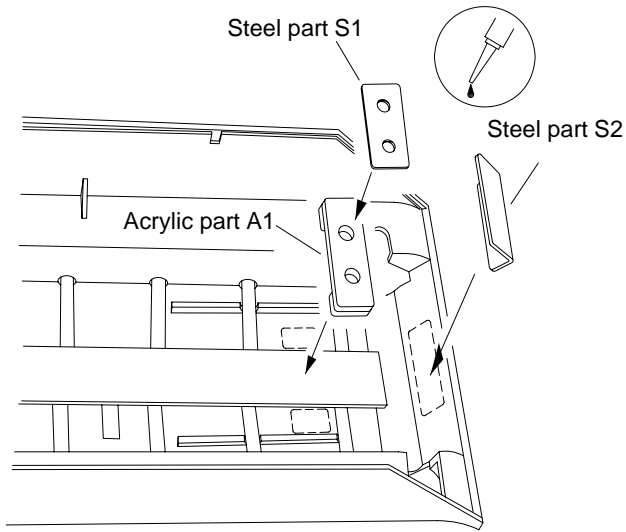
- ! 1) Hold all suspension arms with cellophane tape.
- 2) Cut 1mm PS plate. Apply lots of cement to PS plate and lower hull.
- 3) Use G-clamp or add weights to press PS plate firmly to lower hull.
- 4) Wait till cement has cured completely.

* Attention - Do not use instant glue! It will spread along torsion bars and stick suspension arms.



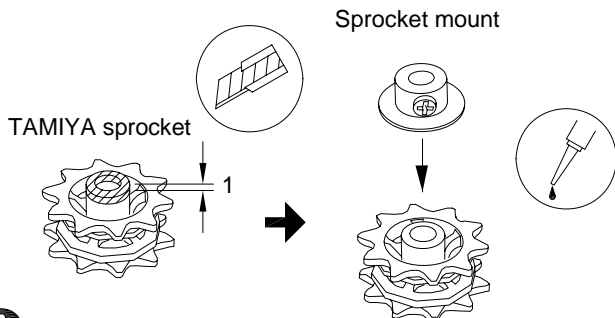
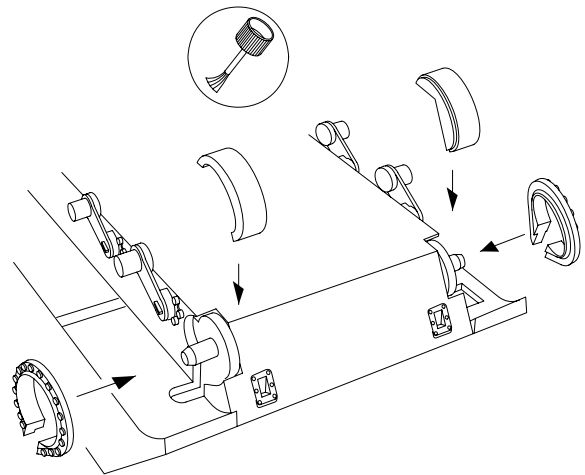
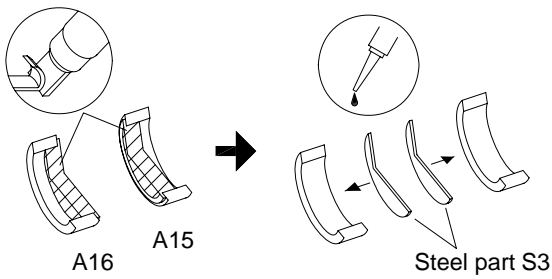
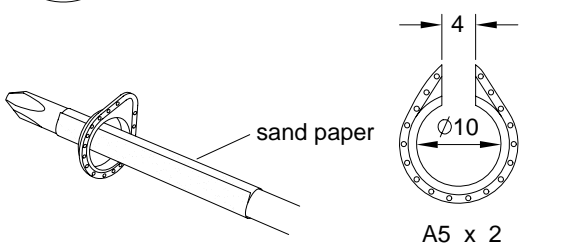
Use G-clamp or apply weights

4 Motor mount



! Position A1, S1 at centre line of lower hull.
Avoid instant glue entering screw thread.

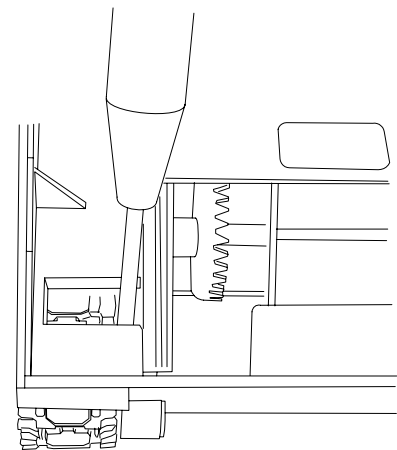
5 Sprocket



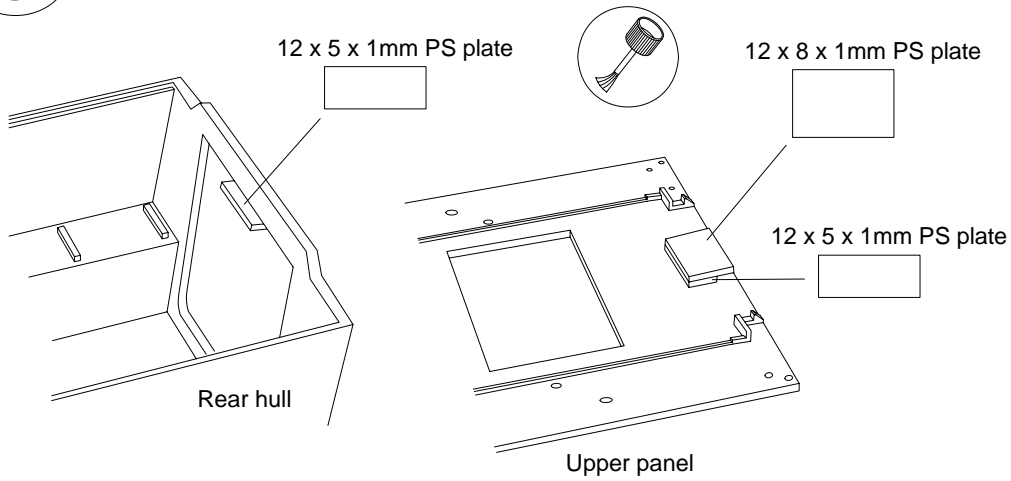
! For TAMIYA sprocket,
cut 1mm.

TAMIYA sprocket,
Friulmodel sprocket (ATL-17)
Apade Ace sprocket (SAT-35090)

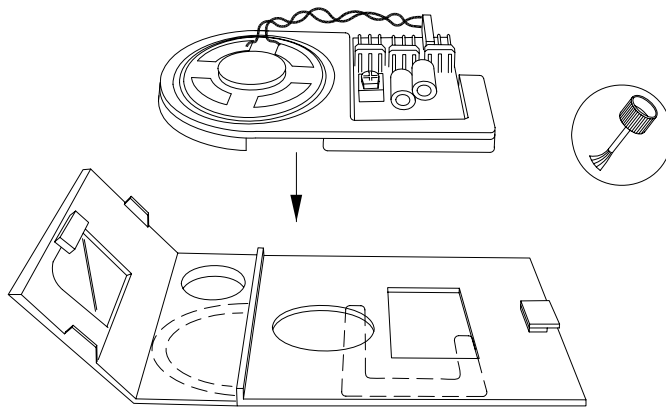
! Secure sprocket here



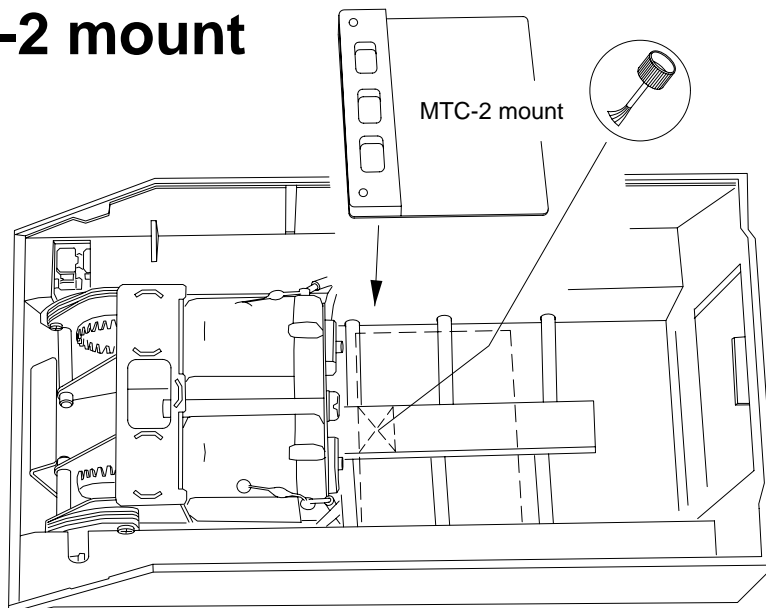
6 Upper panel



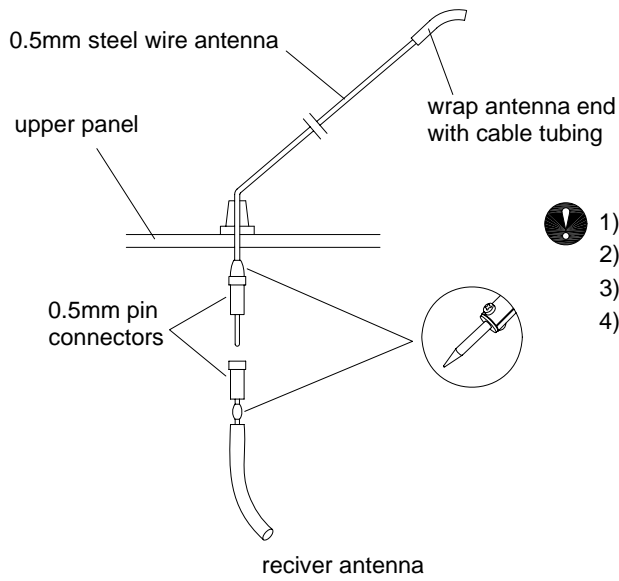
7 Speaker and ACU



8 MTC-2 mount



9 Antenna (for FM/AM receivers)



- ❗ 1) Only required for FM/AM receivers.
- 2) Build external antenna only when control is not stable.
- 3) Construct antenna connector as shown.
- 4) To avoid interference, keep antenna cable away from motor cables.

10 MTC-2 and ACU connections

