

RC Conversion Kit for Tamiya 1/16 Leopard A4 (Display Model Item 36207) User Manual

Note: This kit is designed for TAMIYA Item 36207 and may not be suitable for early Leopard1A4 versions

Attention!

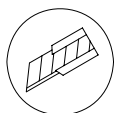
- 1) This kit is designed for experienced model makers. It may be difficult for beginners. Please read this manual thoroughly to see if you have the required skills and tools.
- 2) Cutting tools are used frequently in this kit. Extra care should be taken to avoid injury. Wear hand gloves and eye protection spectacle if necessary.
- 3) Keep room well ventilated when working with cements, paints and organic solvents.
- 4) Visit www.35rctank.com for additional tips and update information.



side cutter



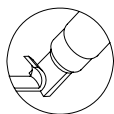
apply cement



modelling knife



do not apply cement



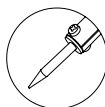
carving knife



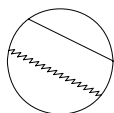
apply instant glue



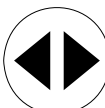
all purpose glue



solder



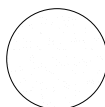
hand saw



both sides



Attention!

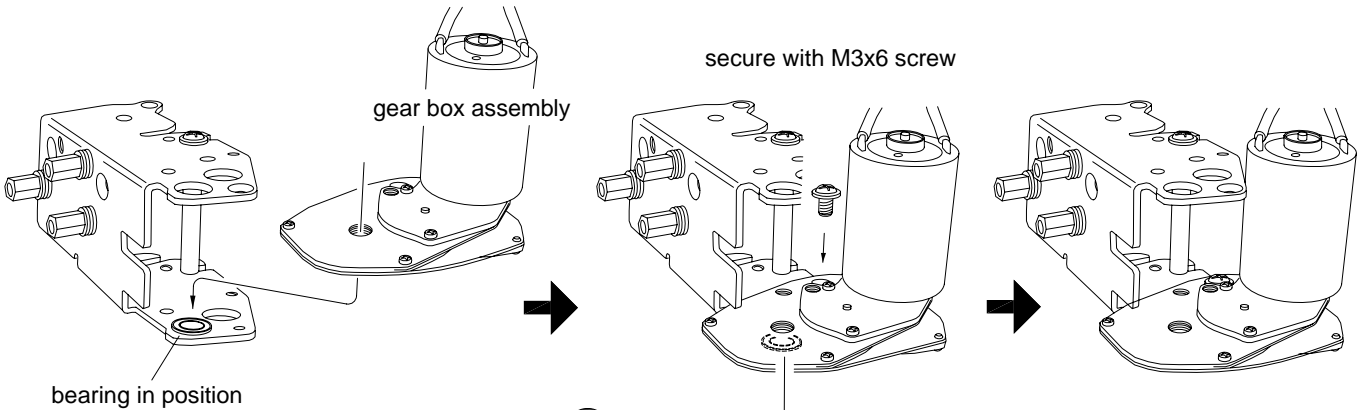
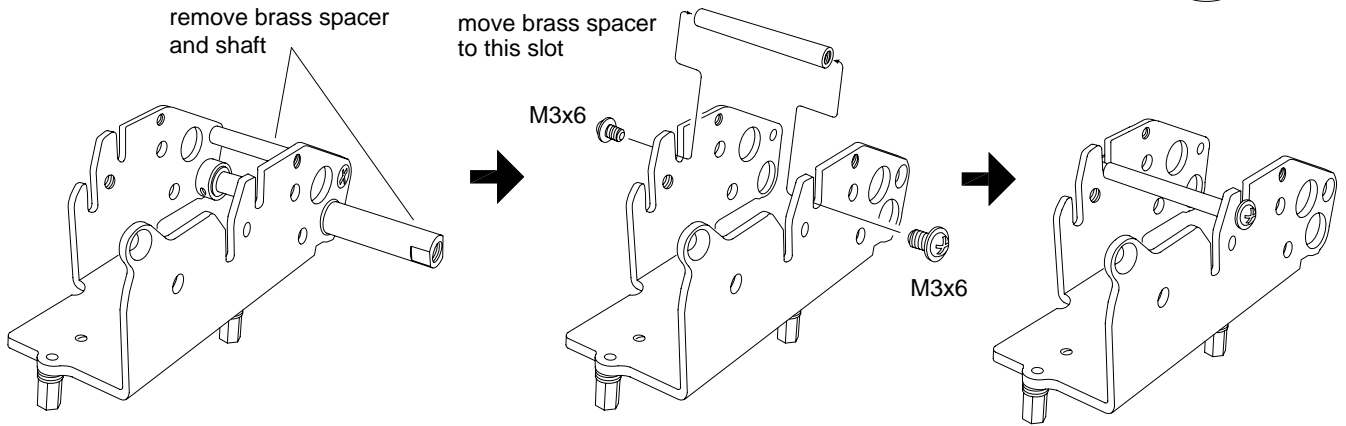
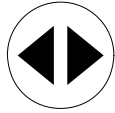


polish with sand paper

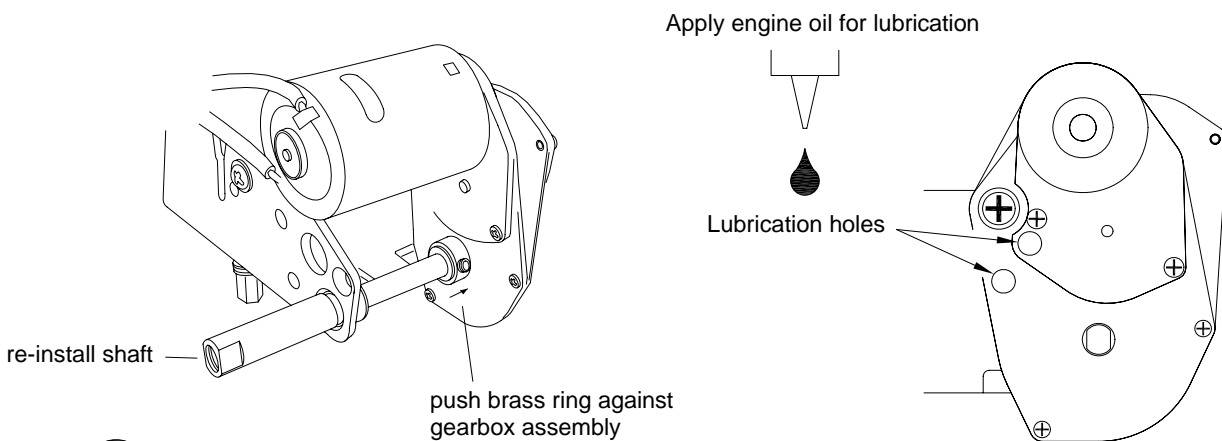
1

Gearbox

Only left side is shown. Make also for right side.



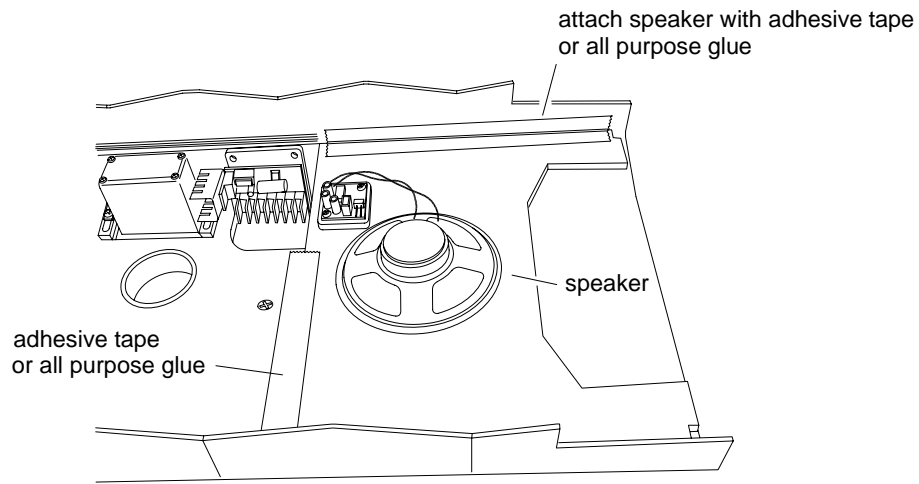
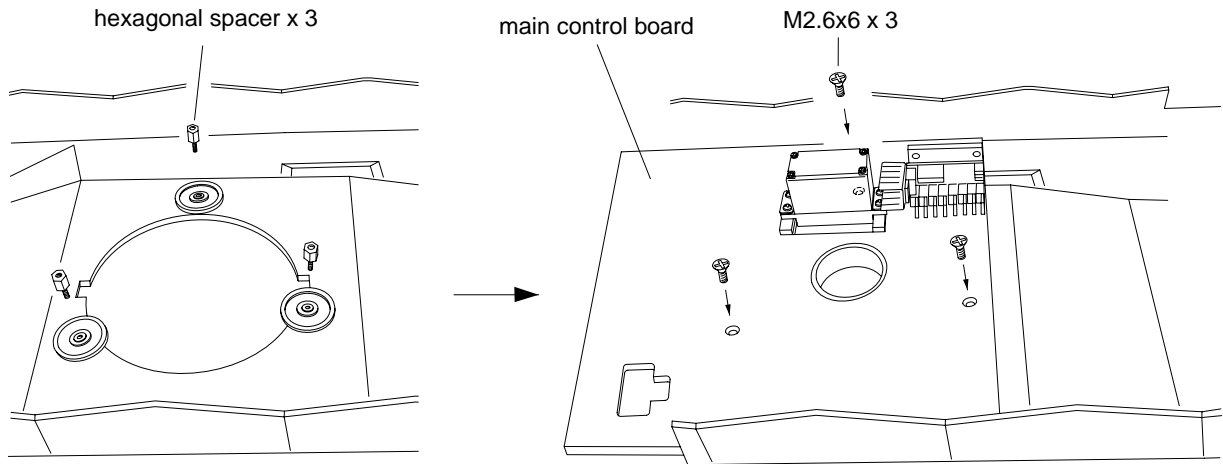
⚠ Make sure bearing sholder is positioned inside the gearbox assembly, and then secure with M3x6 screw.



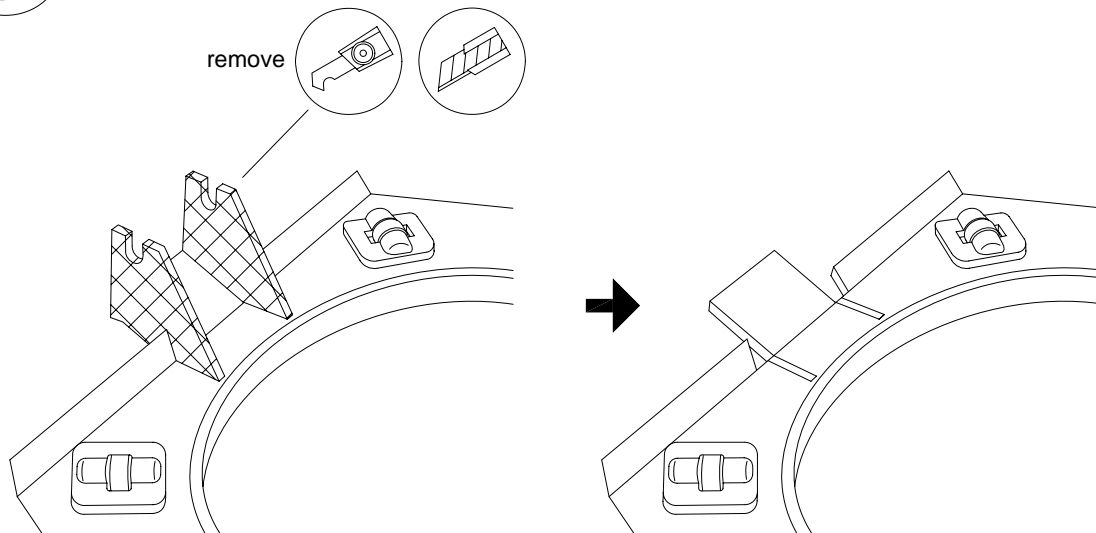
Attention!

- Do not connect power before installation. This may damage the gears!
- After installation, check if you can turn output shaft slowly by hand.
- Apply engine oil for lubrication.

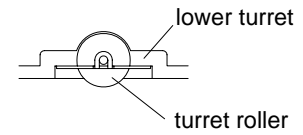
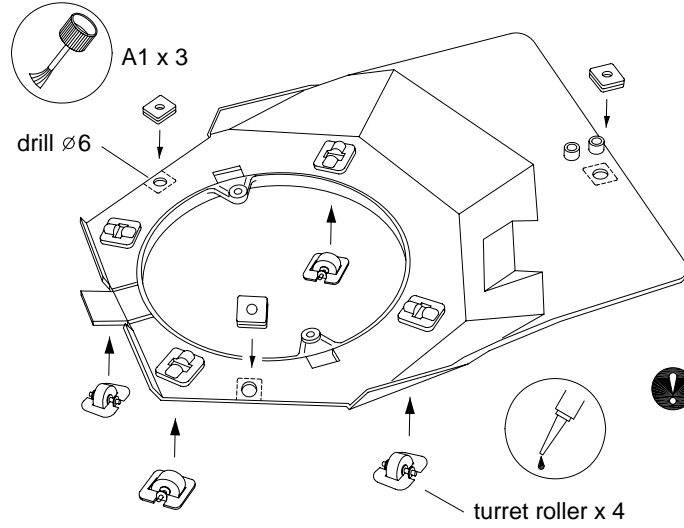
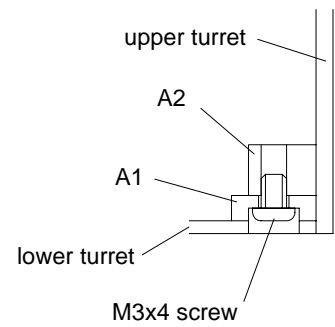
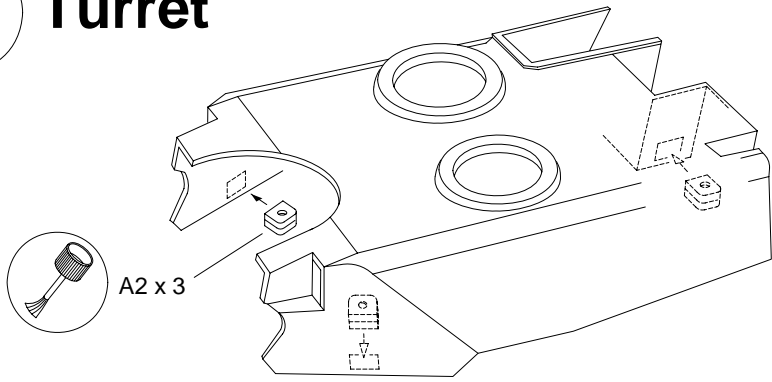
2 Main control board and speaker



3 Turret

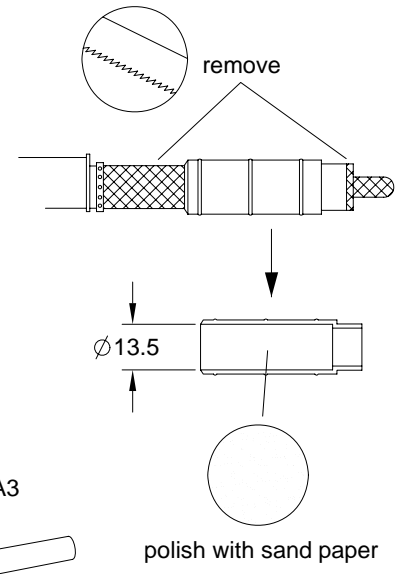
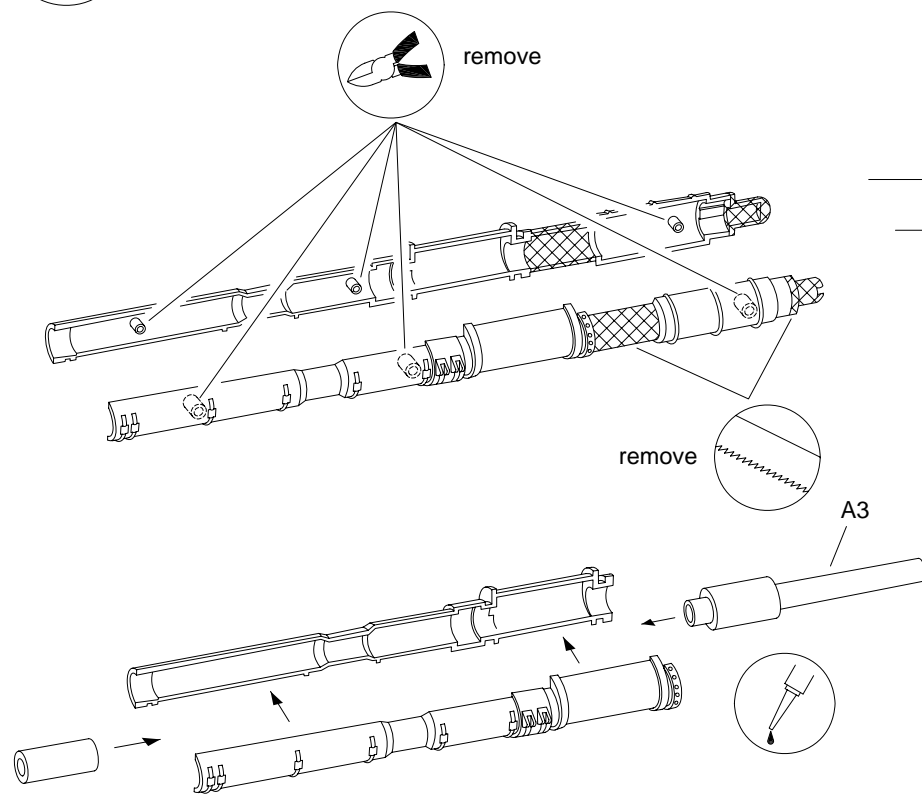


3 Turret

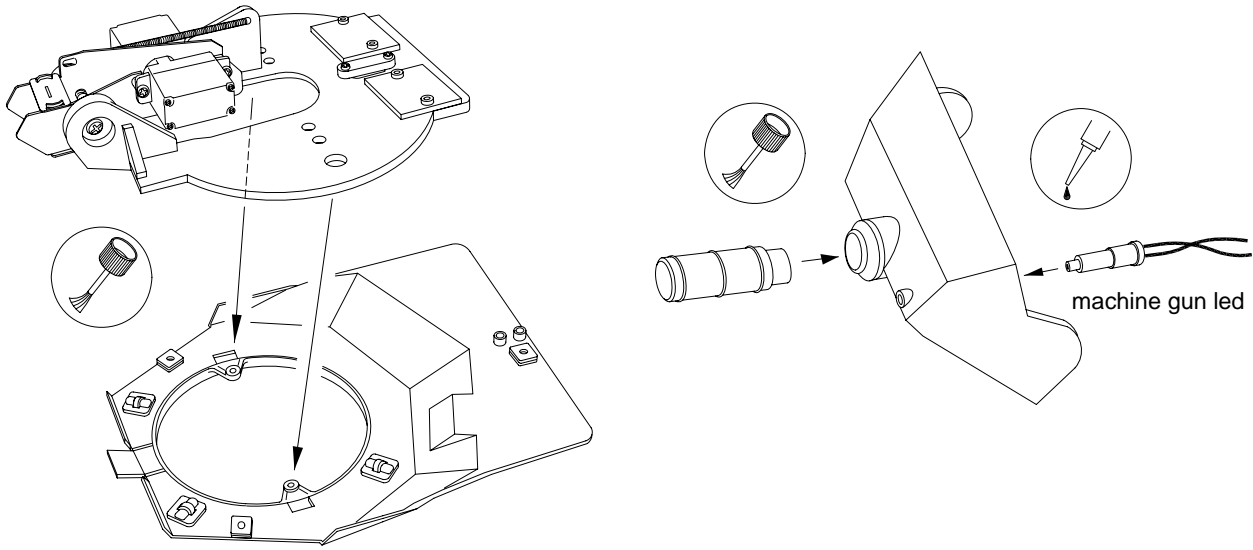


⚠ Attach with little instant glue.
Take care not to stick moving parts!

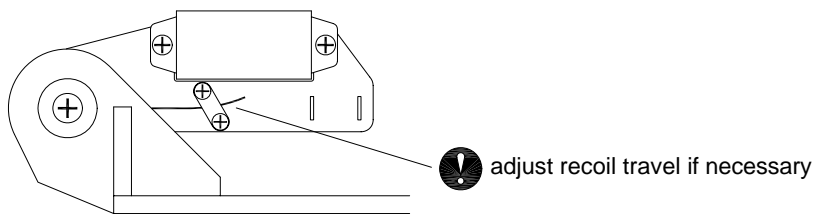
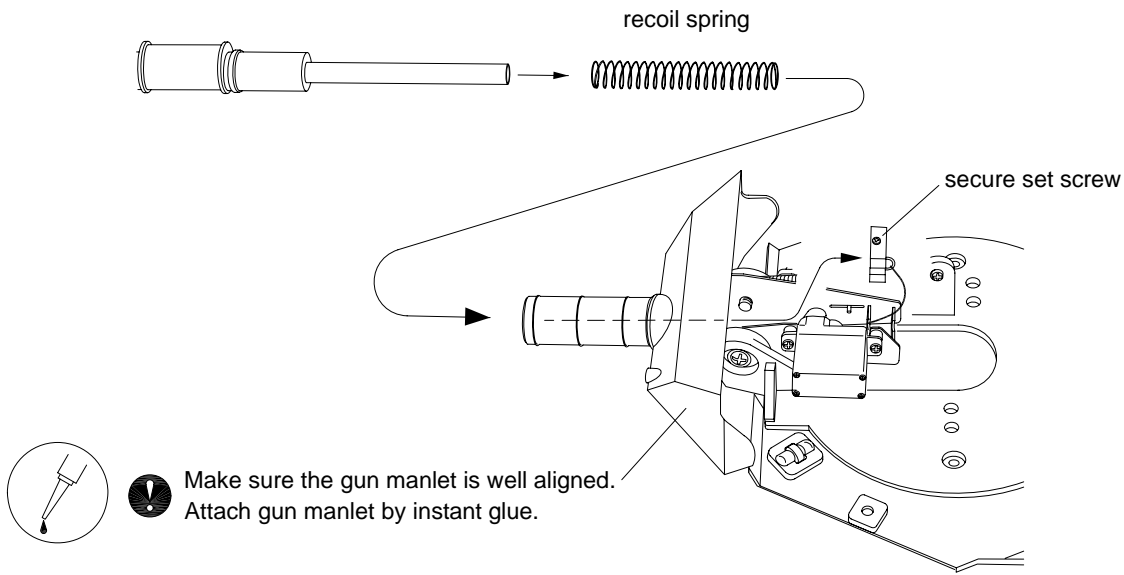
4 Gun barrel



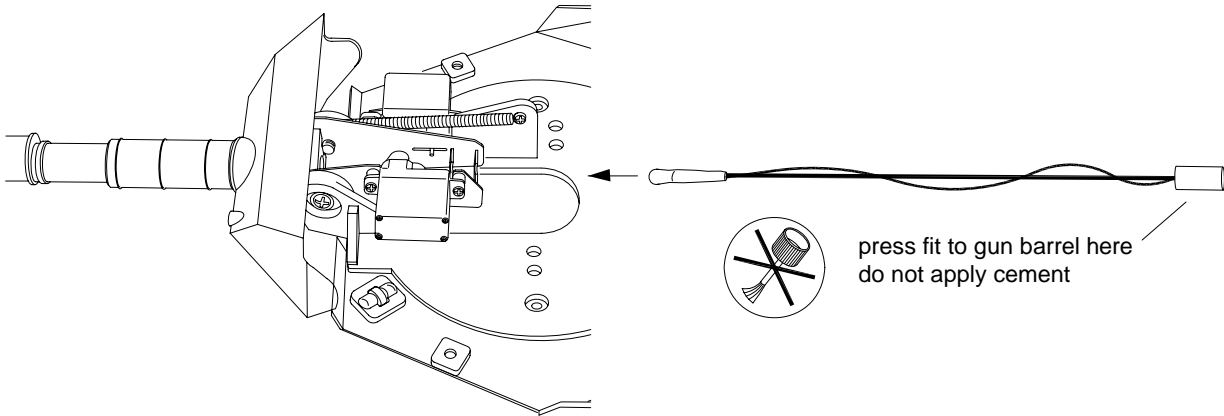
5 Turret and gun servo assembly



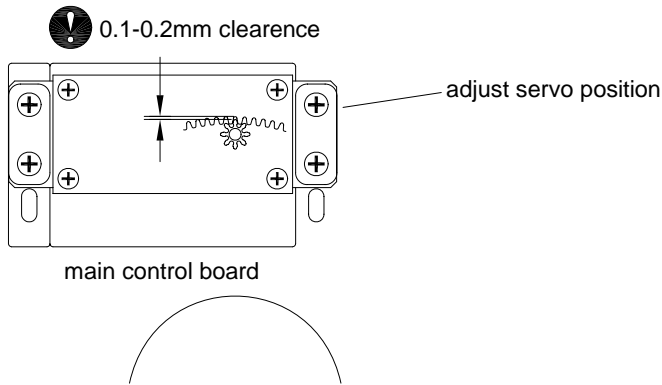
6 Attach gun barrel



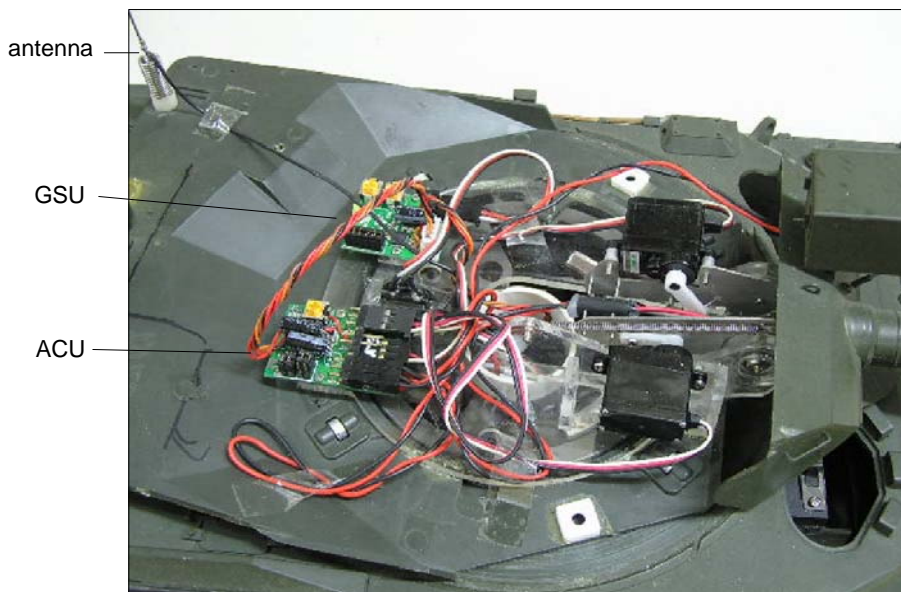
7 Gun flash LED



8 Adjust turret rotation servo



9 Turret connections



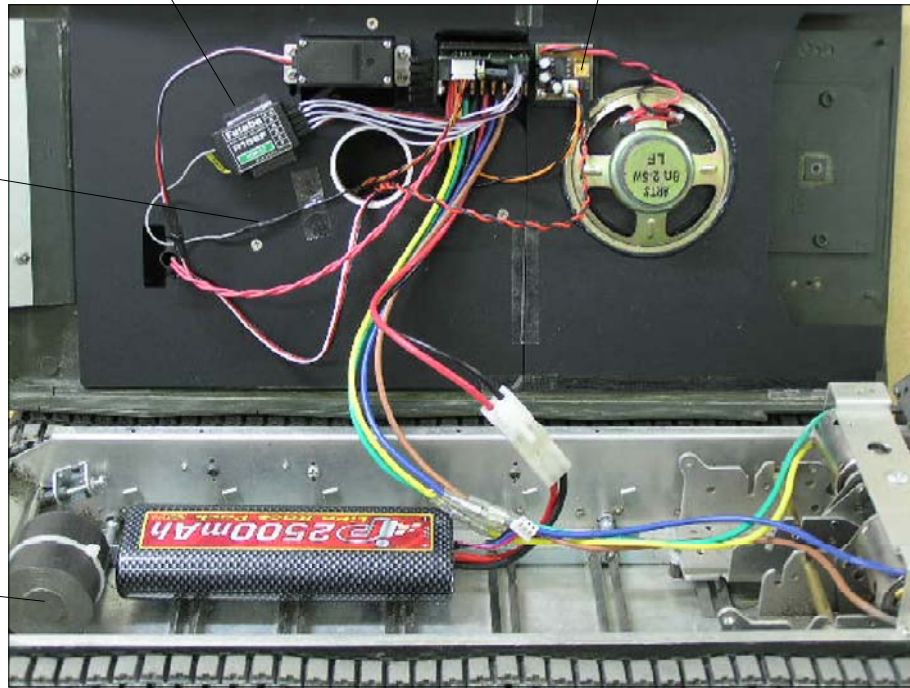
⚠ Tie up cables neatly and away from moving parts.

10 Lower hull connections

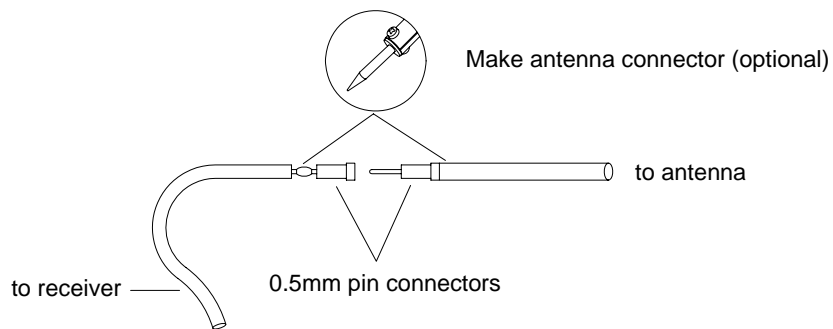
Futaba R156F 6CH receiver
Attach with adhesive tape

speaker volume adjust

antenna connector
(optional)



balancing weight
200-300g (optional)



Make antenna connector (optional)