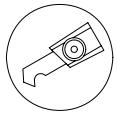


# RC Conversion Kit for Tamiya 1/35 JGSDF Type90 Tank

## User Manual

### Attention!

- 1) This kit is designed for experienced model makers. It may be difficult for beginners. Please read this manual thoroughly to see if you have the required skills and tools.
- 2) Cutting tools are used frequently in this kit. Extra care should be taken to avoid injury. Wear hand gloves and eye protection spectacle if necessary.
- 3) Keep room well ventilated when working with cements, paints and organic solvents.
- 4) Visit [www.35rctank.com](http://www.35rctank.com) for addition tips and update information.



scriber



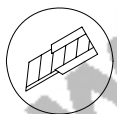
apply cement



side cutter



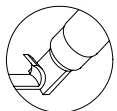
do not apply cement



modelling knife



apply instant glue



carving knife



wait overnight

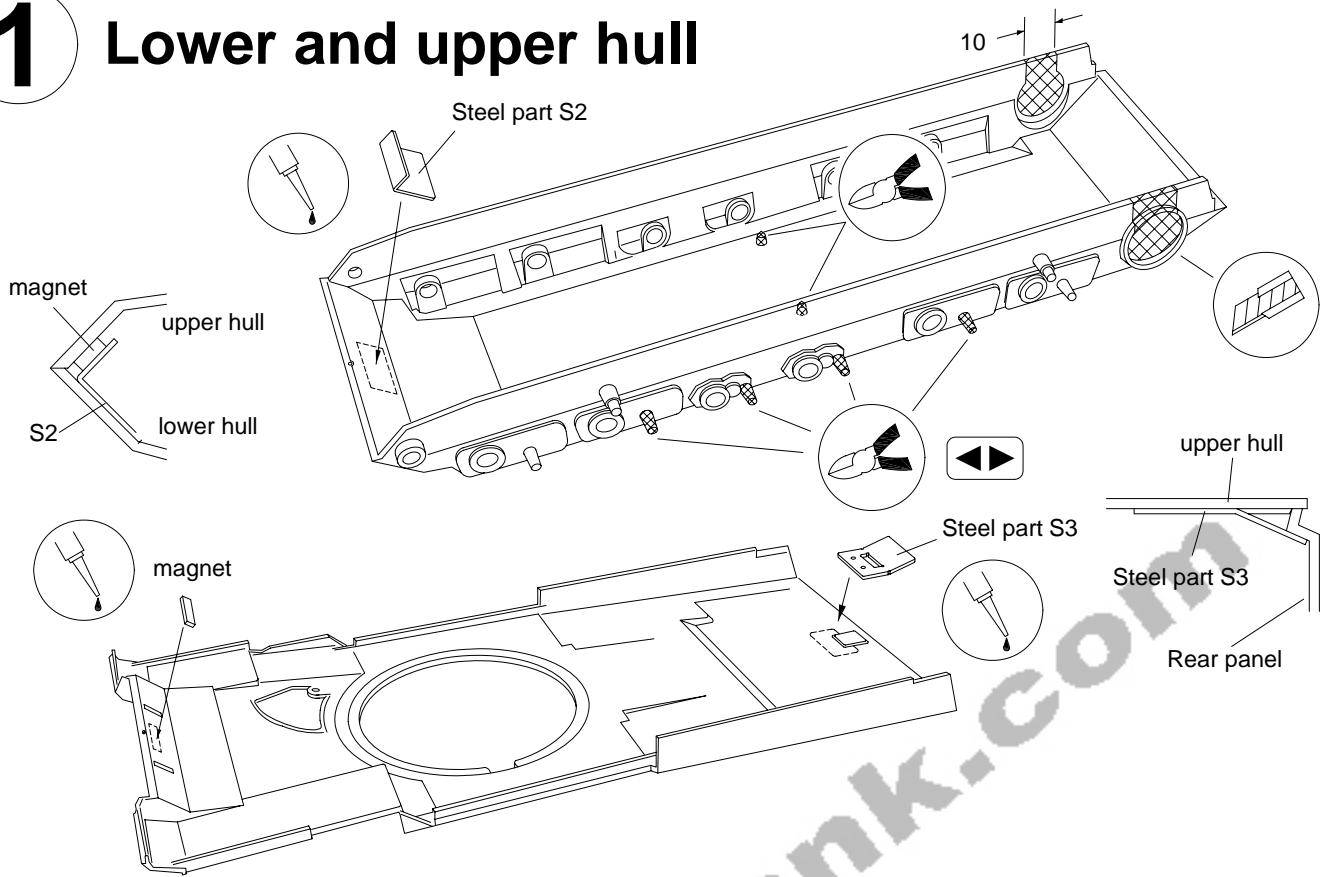


Attention!

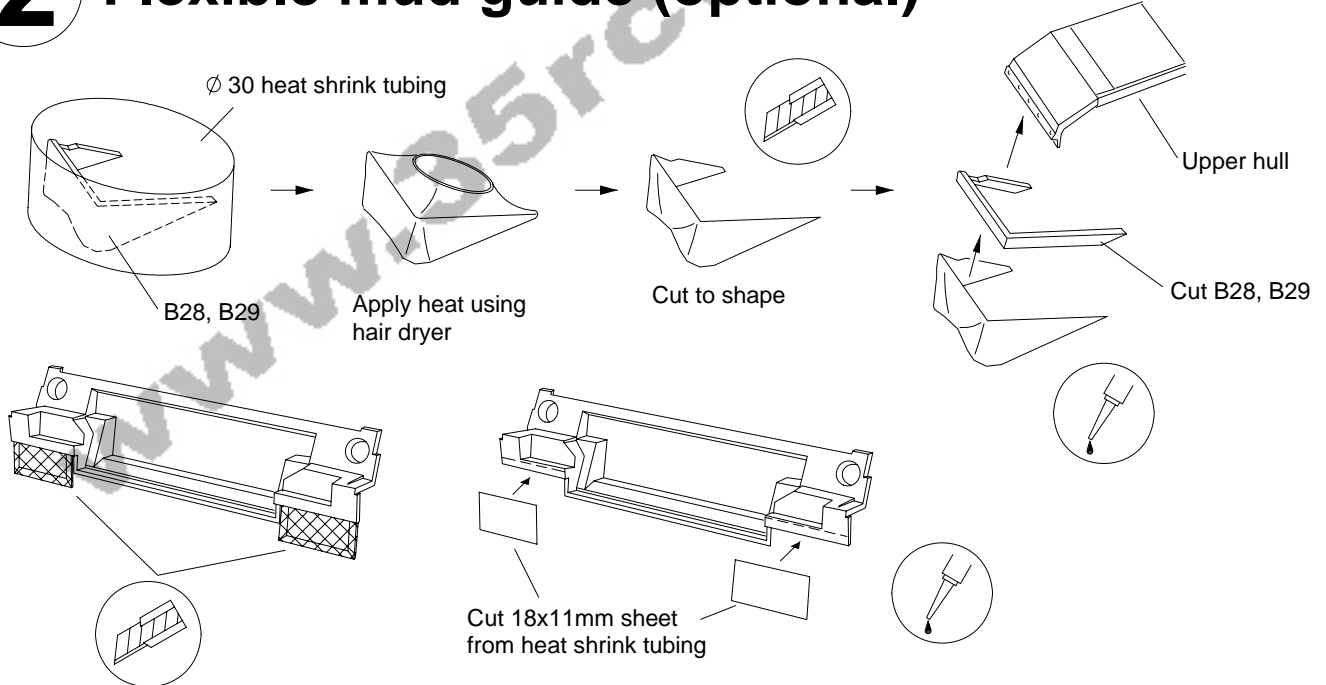


solder

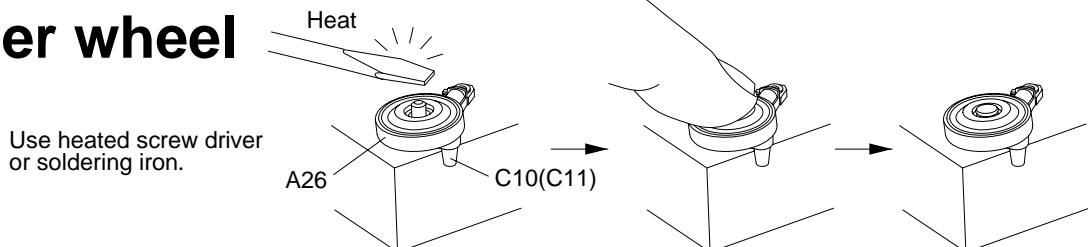
# 1 Lower and upper hull



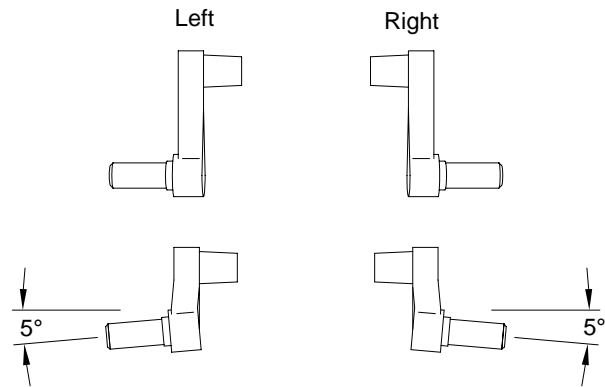
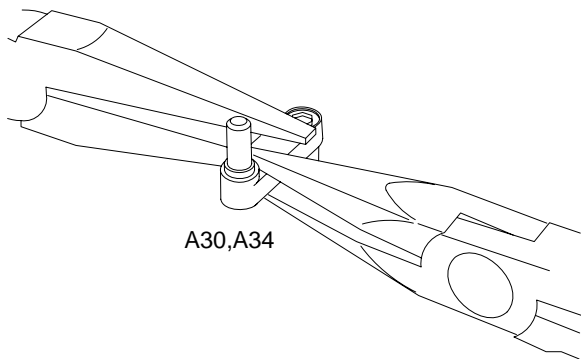
# 2 Flexible mud guide (optional)



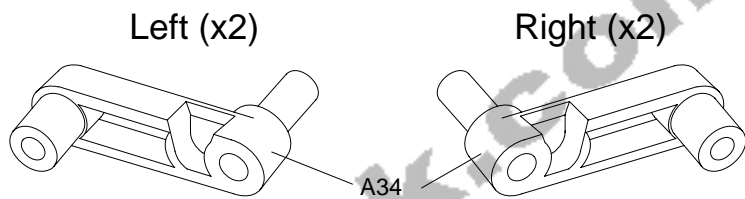
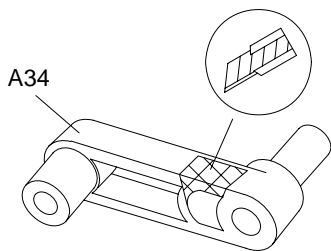
# 3 Idler wheel



# 4A Suspension arms



- 1) The suspension arms will tilt under loading. To compensate for this, use two pliers to twist suspension arms A30, A34 by 5° as shown.
- 2) Write marks to distinct left and right arms.



Make 4 for wheel 1 and wheel 6

- Insert torsion bar into suspension arms. Take care the difference of thickness and angle of torsion bars. Apply instant glue to secure. Wait a few hours for instant glue to cure completely.

