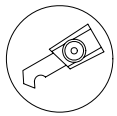


RC Conversion Kit for Tamiya 1/35 M2A2 Bradley IFV

User Manual

Attention!

- 1) This kit is designed for experienced model makers. It may be difficult for beginners. Please read this manual thoroughly to see if you have the required skills and tools.
- 2) Cutting tools are used frequently in this kit. Extra care should be taken to avoid injury. Wear hand gloves and eye protection spectacle if necessary.
- 3) Keep room well ventilated when working with cements, paints and organic solvents.
- 4) Visit www.35rctank.com for addition tips and update information.



scriber



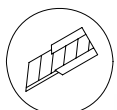
apply cement



side cutter



do not apply cement



modelling knife



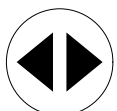
apply instant glue



carving knife



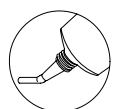
do not apply instant glue



both sides



wait overnight



all purpose glue

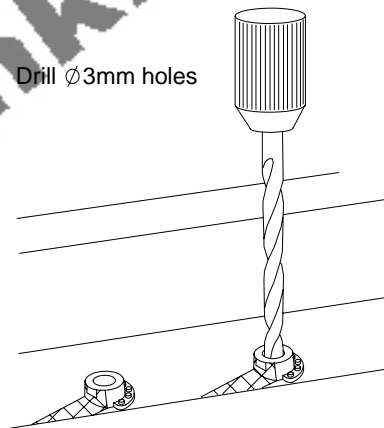
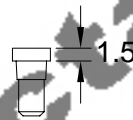
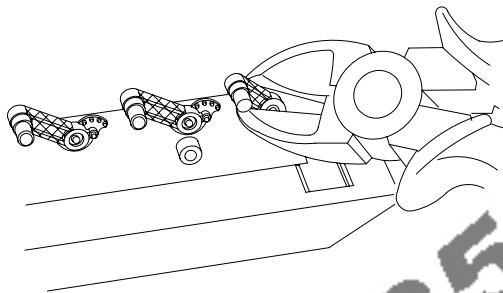
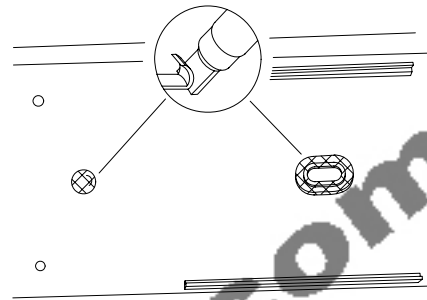
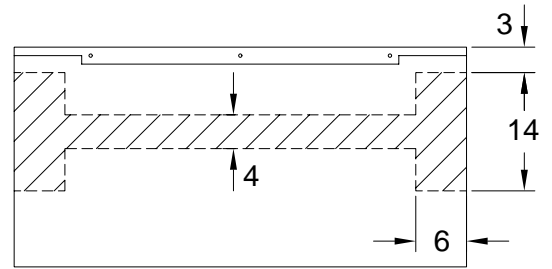
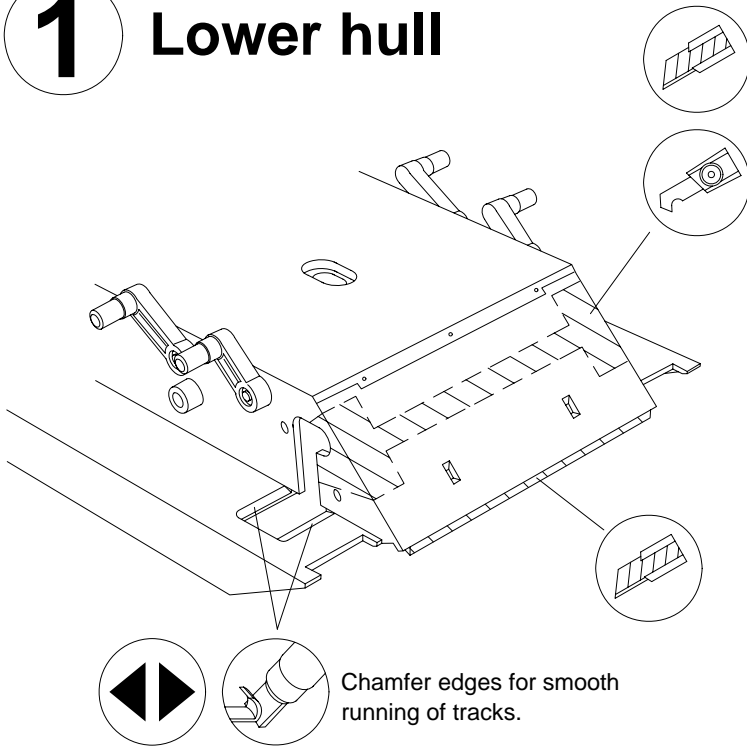


solder



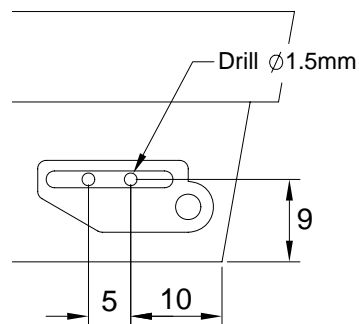
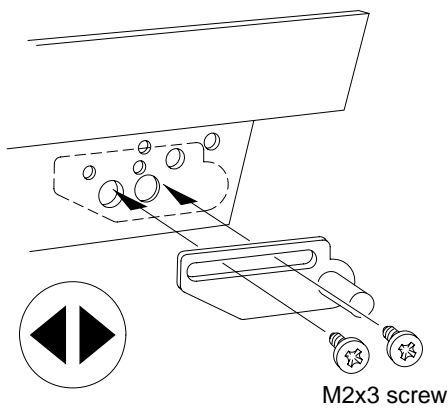
Attention!

1 Lower hull

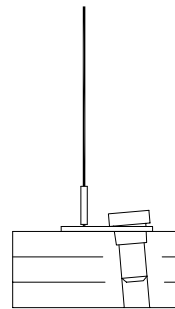
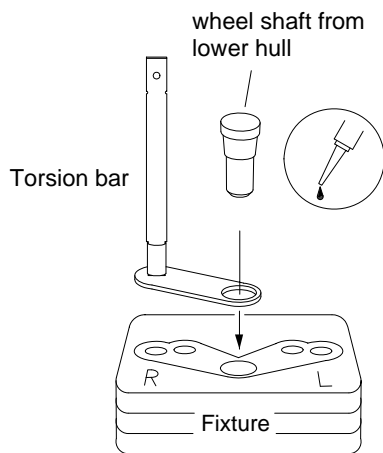


! Remove wheel shaft carefully. Collect 12 wheel shafts for later use.

2 Idler Wheel Shaft



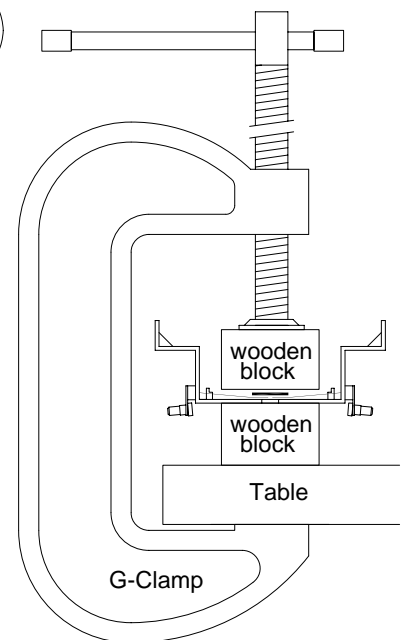
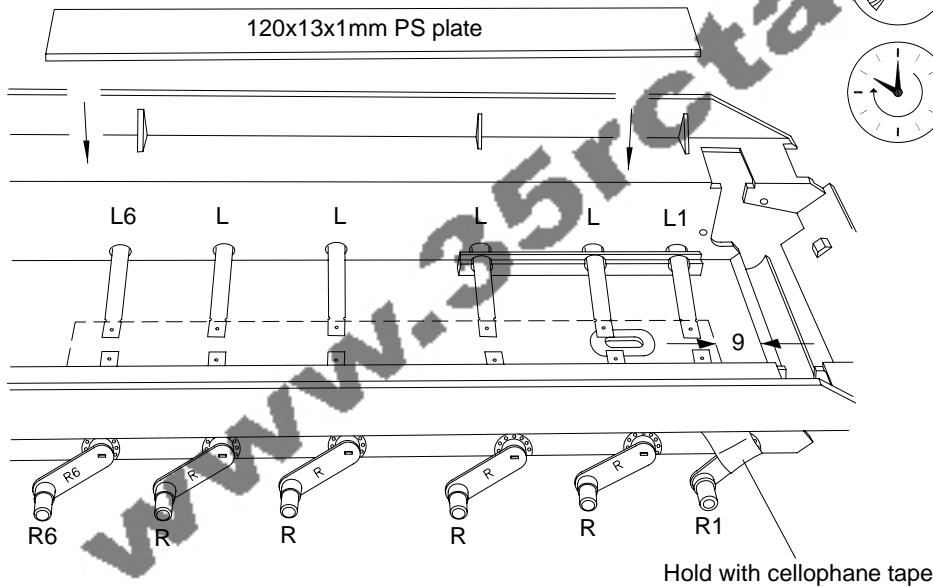
3 Suspension arms



The suspension arms will tilt under loading. The shaft is tilt in purpose for compensation.

Place torsion bar on top of fixture. Note different position for left and right arms. Insert wheel shaft and apply instant glue carefully.

Attention - Too much glue will stick arm to fixture!



Use G-clamp or apply weights



- 1) Hold all suspension arms with cellophane tape.
- 2) Cut 1mm PS plate. Apply lots of cement to PS plate and lower hull.
- 3) Use G-clamp or add weights to press PS plate firmly to lower hull.
- 4) Wait till cement has cured completely.



Attention - Do not use instant glue! It will spread along torsion bars and stick suspension arms.

